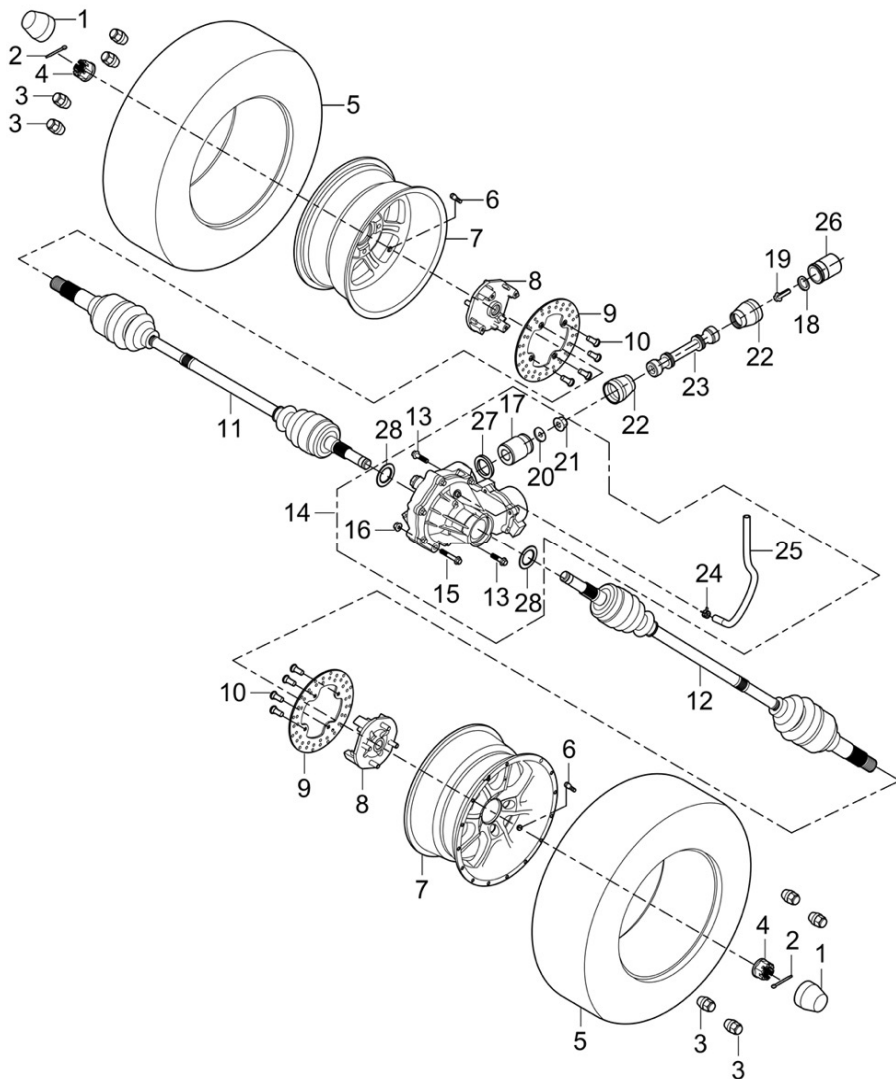
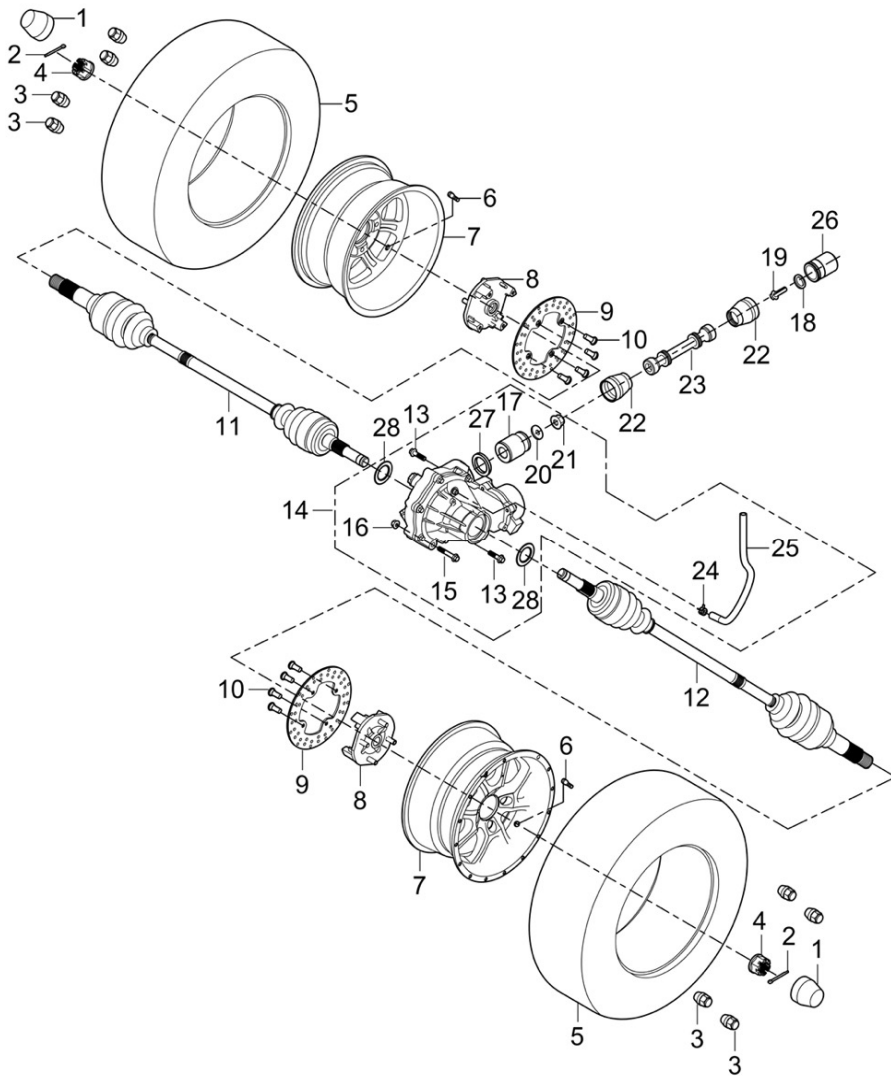


## 1、前驱动系统总成Front drive system assembly



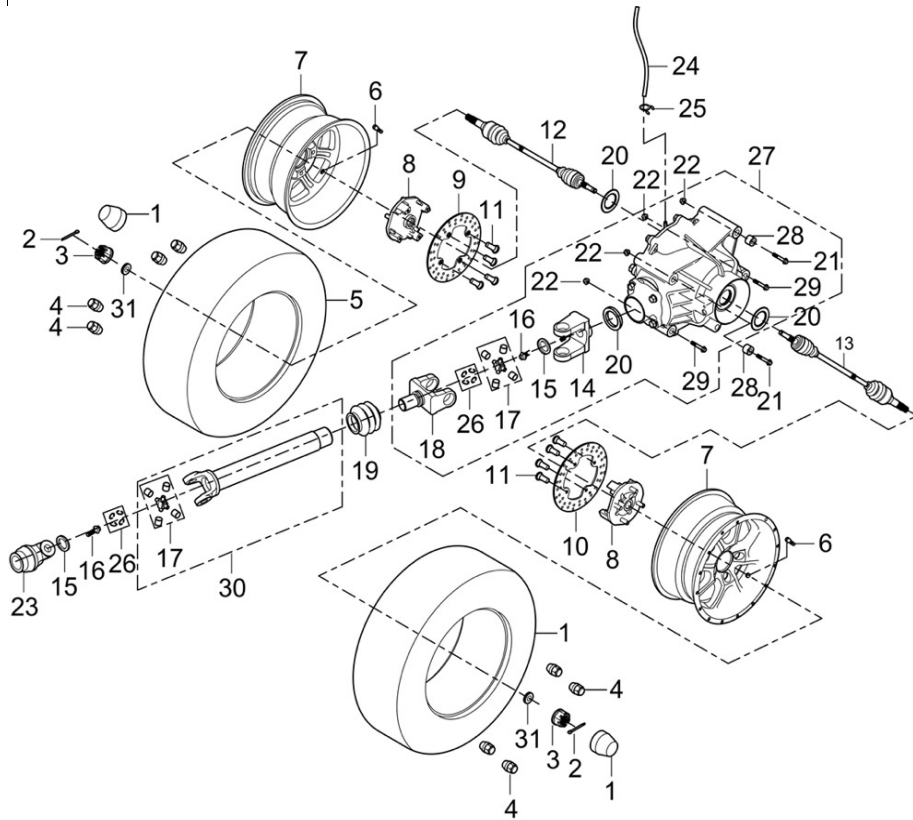
图号 Item No.	ERP 配件编号	中文名称 Chinese name	英文名称 English name	型号 Specification	单车 数量 Quantity
1	10405230020	车轮防尘碗	Wheel Dust-Proof Cover		2
2	05011400405	开口销	Cotter pin 4.0x40		2
3	04322120021	盖形螺母	Acorn nut 12x1.25	M12x1.25	8
4	04812220022	带盘开槽螺母	Slotted flange nut 22x1.5	M22x1.5	2
5	13605030480	前轮胎	Front Tire 26x9-14	26x9-14	2
6	10405230030	气门嘴	Air Valve		2
7	17005030280	前轮辋 (钢板)	Front Rim(Steel)		2
7	13605030400	前轮辋	Front Rim 14x7	14x7	2
8	15101030000	前驱动盘总成	Front wheel-hub		2
9	17006010020	前碟刹盘	Front brake disc		2
10	01824080201	内六角T型螺栓	Allen T type bolt 8x20	M8x20	8
11	17001230000	前半轴 (右)	Front C.V. shaft, RH		1
12	17001220000	前半轴 (左)	Front C.V. shaft, LH		1
13	01256100206	六角法兰螺栓	Hex Flange Bolt 10x20x1.25	M10x20x1.25	2
14	21120100002	前减速器总成	Front differential		1
15	01256100956	六角法兰螺栓	Hex Flange Bolt 10x95x1.25	M10x95x1.25	1
16	04622100026	六角法兰防松螺母	Heagon flange locking nut 1	M10x1.25	1
17	17003100710	前桥-花键套	Front Axle - Spline Sleeve		1
18	060214291235	蝶形垫片	Washer 29.5x12.5x3.5	φ29.5×φ12.5×3.5	1
19	21051001501	传动轴连接法兰螺栓 M12×1.25×25	Bolt 12x1.25x25	m12x1.25x25	1
20	O型密封圈	Sealing Ring	φ14x6.8	1	
21	21120102701	六角法兰防松螺母	Heagon flange locking nut 14x1.5	M14x1.5	1
22	17003110030	前传动轴皮套	Front transmission shaft holster		2

1、前驱动系统总成Front drive system assembly



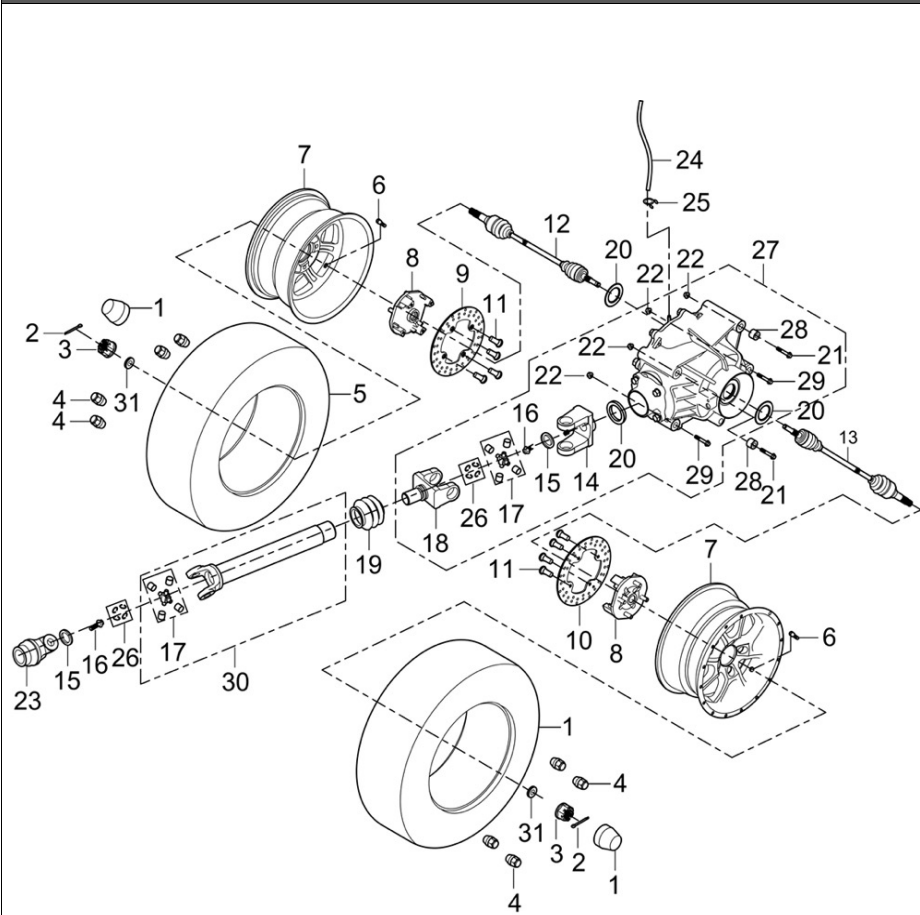
图号 Item No.	ERP 配件编号	中文名称 Chinese name	英文名称 English name	型号 Specification	单车 数量 Quantity
23	21170101801	前传动轴	Front transmission shaft		1
24	21160401601	钢丝卡箍	Wire Clamp		1
25	21130103101	前桥通风管	Front differential ventilation tube		1
26	17003100110	花键套	Spline Bushing		1
27	11010486512	前传动轴油封	Front transmission shaft oil seal		1
28	11010243808	前半轴油封	Front C.V. shaft seal		2
29	06219154235	平垫	Washer	$\phi 14.5 \times \phi 42 \times 3$	
30					
31					
32					
33					
34					
35					
36					
37					
38					
39					
40					
41					
42					
43					
44					
45					

## 2、后驱动系统总成Rear drive system assembly



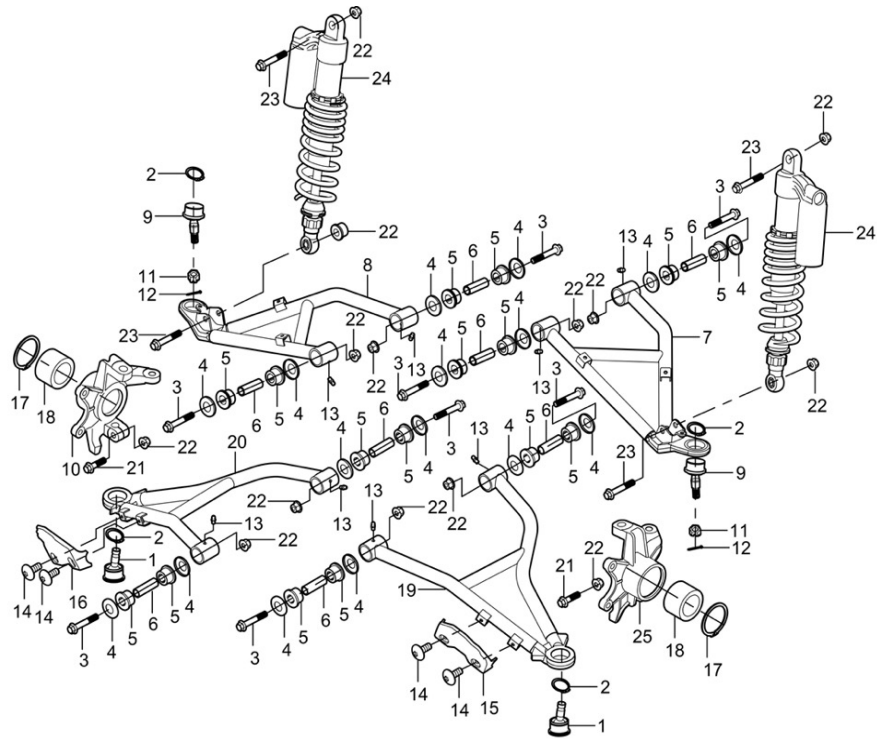
图号 Item No.	ERP 配件编号	中文名称 Chinese name	英文名称 English name	型号 Specification	单车 数量 Quantity
1	10405230020	车轮防尘碗	Wheel Dust-Proof Cover		2
2	05011400405	开口销	Cotter pin 4.0x40	φ4.0x40	2
3	04812224022	带盘开槽螺母	Slotted flange nut 24x1.5	M24x1.5	2
4	04322120021	盖形螺母	Acorn nut 12x1.25	M12x1.25	8
5	13605030420	后轮胎	Rear Tire 26x11-14	26x11-14	2
6	10405230030	气门嘴	Air Valve		4
7	17005040210	后轮钢(钢板)	Rear Rim(Steel)		2
7	13605040260	后轮钢	Rear Rim 14x8	14x8	2
8	15101040000	后驱动盘总成	Rear wheel-hub		2
9	17006010350	后碟刹盘右	Rear brake disc,LH		1
10	17006010340	后碟刹盘左	Rear brake disc, RH		1
11	01826080205	内六角T型螺栓	Allen T type bolt 8x20	M8x20	8
12	17001250000	后半轴(右)	Rear C.V shaft, RH		1
13	17001240000	后半轴(左)	Rear C.V shaft, LH		1
14	17003130110	节叉	Nuckle fork		1
15	06119112835	平垫	Washer	φ10.5xφ28x3.5	1
16	01256100256	六角法兰螺栓	Hex Flange Bolt	M10x25x1.25	1
17	17003130120	十字轴叉	Cross shaft fork		2
18	17003130130	后节叉	Rear nucle fork		1
19	17003130030	后传动轴防尘套	Rear transmission shaft holster		1
20	11010035507	半轴油封	Half shaft oil seal	φ35x φ50x7	3
21	01256101306	六角法兰螺栓	Hex Flange Bolt	M10x130x1.25	2
22	04622100026	六角防松螺母	Heagon flange locking nut 1	M10x1.25	4

## 2、后驱动系统总成Rear drive system assembly



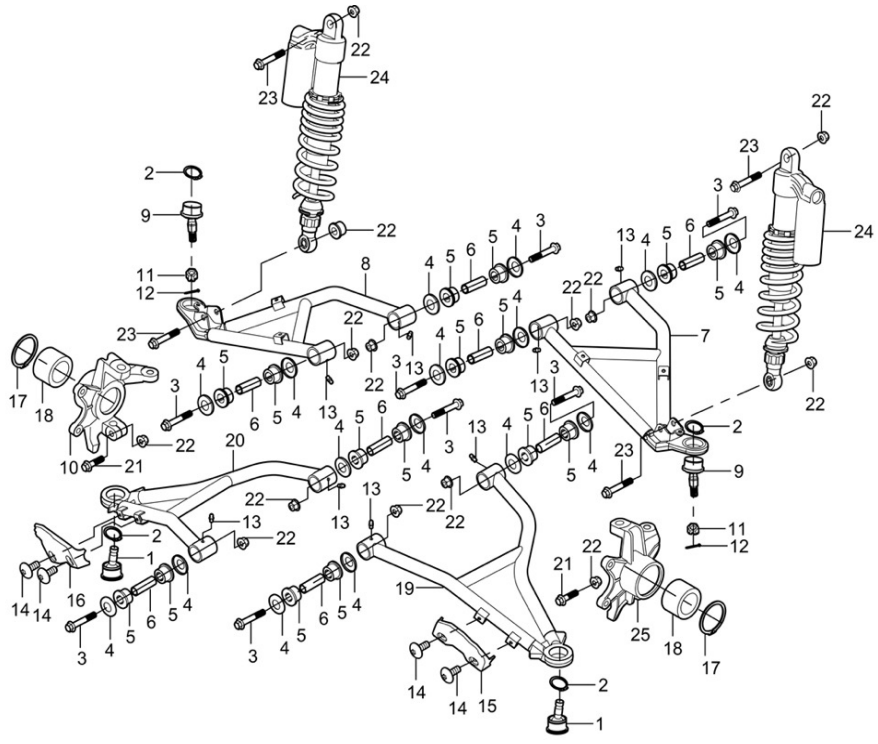
图号 Item No.	ERP 配件编号	中文名称 Chinese name	英文名称 English name	型号 Specification	单车 数量 Quantity
23	17003130100	后传动滑动节叉 (1000CC)	Rear drive sliding nuckle fork (1000CC)		
23	17303130100	后传动滑动节叉 (650CC)	Rear drive sliding nuckle fork (650CC/800CC)		1
24	17007020130	后桥通气管	Rear differential ventilation tube	680mm	1
25	11904070030	喉箍	Spring hose clip	φ8	1
26	07011250004	孔用挡圈	C-clamp	φ25	8
27	17003120000	后减速度器总成(差速)	Rear differential		1
27	17003120100	后减速度器总成(普通)	Rear reducer (regular)		1
28	17003120820	后桥衬套	Rear axle bushings		2
29	01256101206	六角法兰螺栓	Hex Flange Bolt	M10×120×1.25	2
30	17303130090	后传动轴十字轴总成(短款)	Rear drive shaft cross shaft assembly (short version)		1
30	17003130090	后传动轴十字轴总成(长款)	Rear drive shaft cross shaft assembly (long version)		1
31	15101230010	碟形垫片	Front butterfly washer φ22.5	φ22.5xφ42x5	2
32					
33					
34					
35					
36					
37					
38					
39					
40					
41					
42					

## 3、前悬挂总成Front suspension system



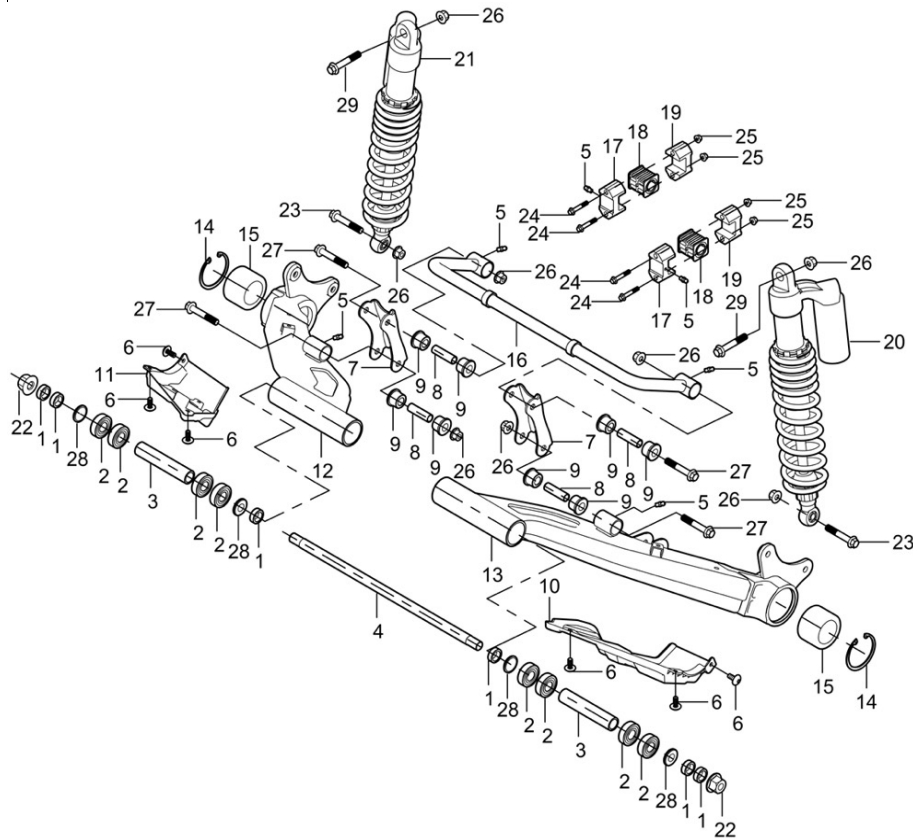
图号 Item No.	ERP 配件编号	中文名称 Chinese name	英文名称 English name	型号 Specification	单车 数量 Quantity
1	13601190021	球头(下)	Ball joint	φ34	2
2	07031340004	轴用弹性挡圈	Snap ring	φ34	4
3	01256100756	六角法兰螺栓	Hex Flange Bolt 10x75x1.25	M10x75x1.25	8
4	13601070030	摆臂尼龙套保护盖	A-Arm Nylon Sleeve Cover		16
5	10401070020	摆臂尼龙套	A-arm nylon sleeve Cover		16
6	13601070010	摆臂内衬套	A-arm inner sleeve		8
7	17001060010	前上摆臂(左)(喷漆)	Uppper A-arm, LH, FR		1
8	17001070080	前上摆臂(右)(喷漆)	Uppper A-arm, RH, FR		1
9	10401190000	球头(上)	Ball joint		2
10	17005220030	转向节(右)	Steering Knuckle, RH		1
11	04724120026	开槽螺母	Castle nut 12x1.25	M12x1.25	2
12	05011250255	开口销	Cotter Pin 2.5x25	φ2.5x25	2
13	10901070090	黄油咀(白色)	Grease Zerk(white)		8
14	03414060124	内六角花型盘头螺钉	Allen bolt M6x12	M6x12	4
15	17001220100	前左半轴护罩	Front left half shaft guard		1
16	17001230100	前右半轴护罩	Front rigthy half shaft guard		1
17	07011630004	孔用弹性挡圈	C-clamp	φ63	2
18	09560306342	轴承(双面密封)	Bearing(double sealed)	轴承DAC306342	2
19	17001080020	前下摆臂(左)(喷漆)	Lower A-arm, LH, FR		1
20	17001090020	前下摆臂(右)(喷漆)	Lower A-arm, RH, FR		1
21	17001190070	台阶螺栓	Hex Flange Bolt 10x40x1.25	M10x40x1.25	2
22	04622100026	六角法兰防松螺母	Heagon flange locking nut 10x1.25	M10x1.25	14
23	01256100556	六角法兰螺栓	Hex Flange Bolt 10x55x1.25	M10x55x1.25	4

3、前悬挂总成Front suspension system



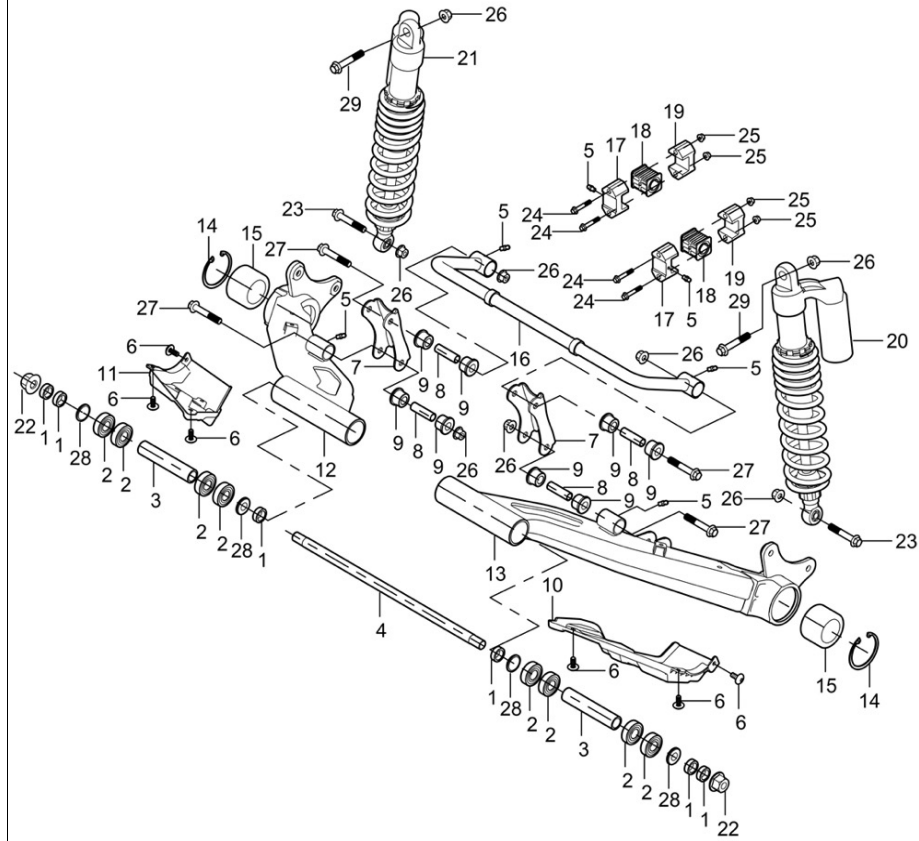
图号 Item No.	ERP 配件编号	中文名称 Chinese name	英文名称 English name	型号 Specification	单车数量 Quantity
24	17001010120	前减震器 (气囊)	Front shock (Airbag)		2
24	17001010130	前减震器 (普通)	Front shock (Normal)		2
25	17005210030	转向节 (左)	Steering Knuckle, LH		1
26					
27					
28					
29					
30					
31					
32					
33					
34					
35					
36					
37					
38					
39					
40					
41					
42					
43					
44					
45					

## 4、后悬挂总成Rear suspensio system



图号 Item No.	ERP 配件编号	中文名称 Chinese name	英文名称 English name	型号 Specification	单车 数量 Quant ity
1	17001100080	后摆臂外衬套	Rear swing arm outer sleeve		6
2	09560006203	轴承6203-2rs	Bearing 6203-2rs	40x17x12	8
3	17001100070	后摆臂内衬管	Rear swing arm liner tube		2
4	17001100060	后摆臂连接轴	Rear swing arm joint shaft		1
5	10901070090	黄油嘴	Grease nozzle		6
6	03414060124	内六角花型盘头螺钉	Allen bolt M6x12	M6x12	6
7	17001210080	平衡杆连接板	Balance bar linkage plate		2
8	17001210090	横向稳定杆内衬套	Sway bar inner sleeve		4
9	16201070020	摆臂尼龙套	A-Arm Nylon Sleeve		8
10	17001120020	后下摆臂护板(左)	Uppper A-arm, LH, RR		1
11	17001130020	后下摆臂护板(右)	Uppper A-arm, RH, RR		1
12	17000050010	后摆臂(右)	Rear swing arm (right)		1
13	17000040010	后摆臂(左)	Rear swing arm (left)		1
14	07011630004	孔用弹性挡圈	C-clamp	φ63	2
15	09560306342	轴承(双面密封)	Bearing(double sealed)	轴承DAC306342	2
16	17001210020	横向稳定杆	Sway bar		1
17	17001210030	横向稳定器压块	Sway bar pressure block		2
18	17001210040	横向稳定器减震套	Cusion, sway bar fixation		2
19	17001210070	横向稳定器压块(黄油嘴)	Sway bar pressure block (Grease nozzle)		2
20	17001020140	后减震器左(气囊)	Rear shock absorber left (airbag)		1
21	17001020160	后减震器右(气囊)	Rear shock absorber right (airbag)		1
21	17001020020	后减震器(普通)	Rear shock absorber (normal)		2
22	04632160025	六角法兰防松螺母	Heagon flange locking nut	M16×2.0	2

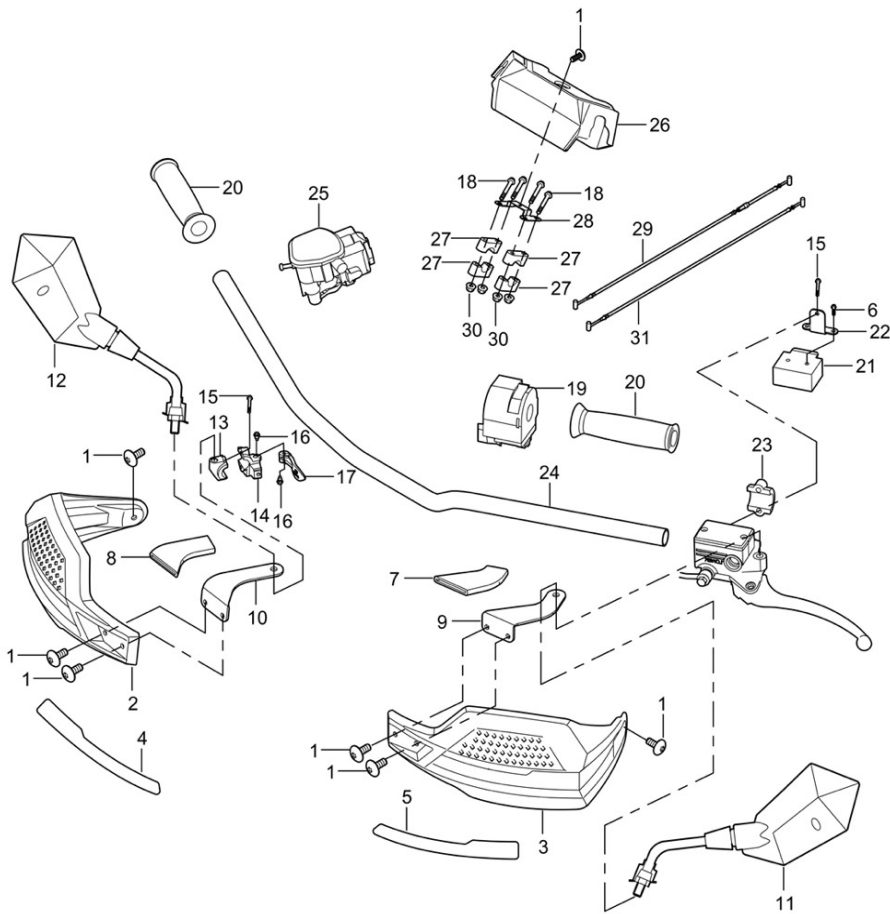
## 4、后悬挂总成Rear suspensio system



图号 Item No.	ERP 配件编号	中文名称 Chinese name	英文名称 English name	型号 Specification	单车 数量 Quantity
23	01256100556	六角法兰螺栓	Hex Flange Bolt	M10x55x1.25	2
24	01214080806	六角法兰螺栓	Hex Flange Bolt	M8x80 (半丝)	4
25	04512060126	六角法兰防松螺母	Hexagon flange locking nut	M8	4
26	04622100026	六角法兰防松螺母	Hexagon flange locking nut	M10x1.25	8
27	01256100706	六角法兰螺栓	Hex Flange Bolt	M10x70x1.25	4
28	11010025405	后摆臂油封	Rear swing arm oil seal	40x25x5	4
29	1256100606	六角法兰螺栓	Hex Flange Bolt 10x60x1.25	M10x60x1.25	2
30					
31					
32					
33					
34					
35					
36					
37					
38					
39					
40					
41					
42					
43					
44					
45					

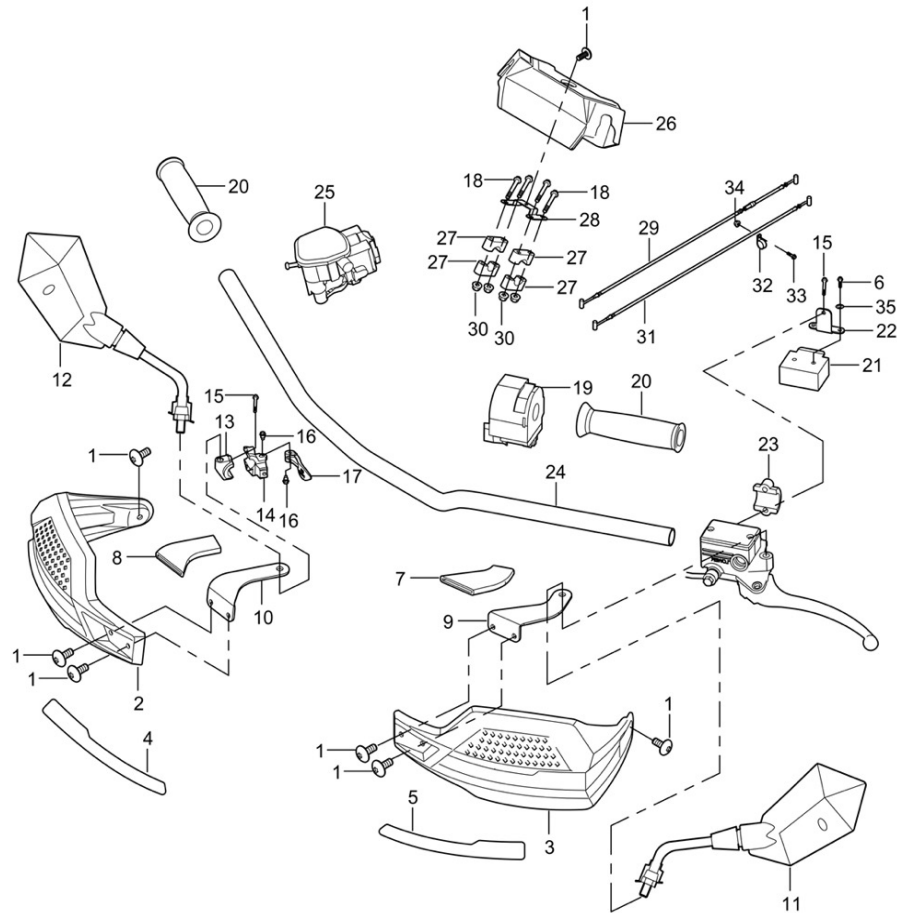


## 5、方向手把Steering Handle



图号 Item No.	ERP 配件编号	中文名称 Chinese name	英文名称 English name	型号 Specification	单车 数量 Quantity
1	03414060124	内六角花型盘头螺钉	Allen bolt M6x12	M6x12	7
2	17005160090	车把护罩(右)	Handle Bar Shield, Right		1
3	17005160080	车把护罩(左)	Handle Bar Shield, Left		1
4	17014190100	手把护罩反光条右	Handle Bar Shield Reflective strip right		1
5	17014190090	手把护罩反光条左	Handle Bar Shield Reflective strip left		1
6	03174040104	十字圆头螺钉	Crossed round head screw	M4x10	2
7	17005160290	手把护罩左安装板皮套	Handle Bar Shield mounting plate holster, Left		1
8	17005160300	手把护罩右安装板皮套	Handle Bar Shield mounting plate holster, Right		1
9	17005160030	手把护罩左安装板	Handle Bar Shield mounting plate, Left		1
10	17005160040	手把护罩右安装板	Handle Bar Shield mounting plate, Right		1
11	13605140000	后视镜(左)	Rear view mirror, LH		1
12	13605150000	后视镜(右)	Rear view mirror, RH		1
13	17006010560	驻车半页盖	Parking brake half page cover		1
14	14506010560	驻车手柄固定半盖	Parking brake handle fixed half cover		1
15	01224060225	固定半盖螺栓	Hex Flange Bolt 6x22	M6x22	4
16	14506010570	驻车手柄螺栓	Bolt, Brake Handle		2
17	14506010130	驻车手柄	Parking brake handle		1
18	01214080655	六角法兰螺栓	Hex Flange Bolt 8x65	M8x65	4
19	17009190080	组合开关	Main Switch Housing		1
20	13605130000	把套	Handle Grip		2
21	17014250130	牵引机控制手柄	Winch Controlling Handle Bar		1
22	17014250150	牵引机控制手柄安装板	Winch Controlling Handle Bar Mounting plate		1
23	17006010560	驻车半页盖	Parking brake half page cover		1

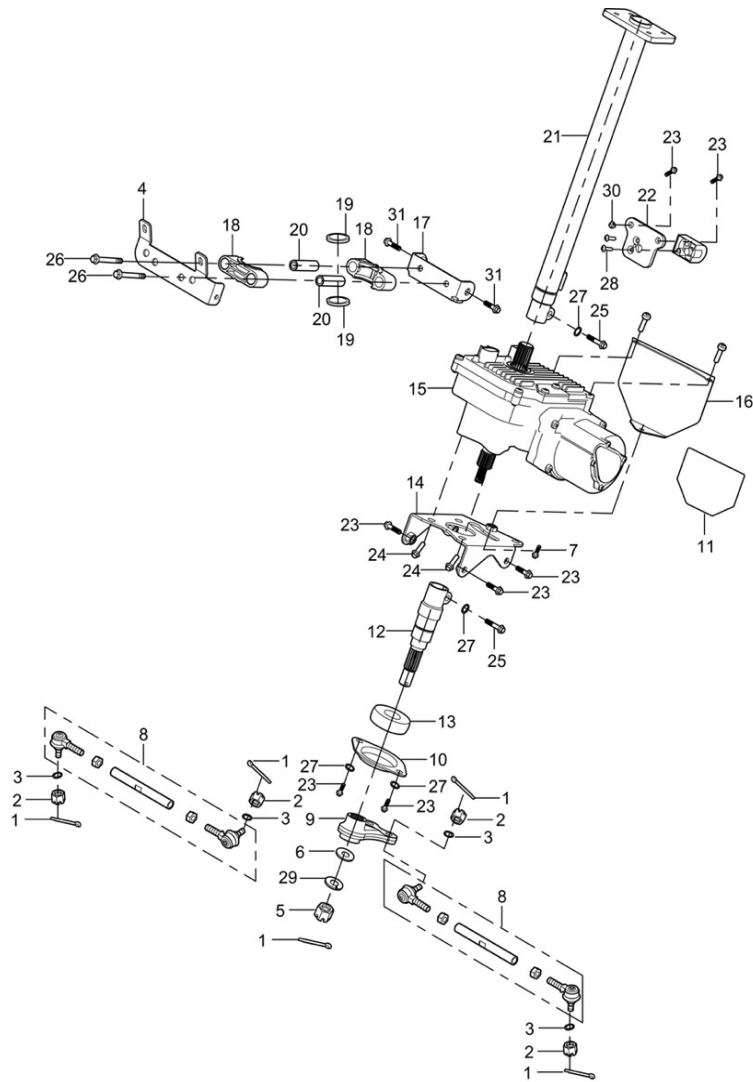
## 5、方向手把Steering Handle



图号 Item No.	ERP 配件编号	中文名称 Chinese name	英文名称 English name	型号 Specification	单车 数量 Quantity
24	17005160000	车把弯管	Handle Bar		1
25	17011070010	加油器	Throttle Housing		1
26	17005160120	方向柱护罩	Cover, steering post		1
27	13605170010	车把压块	Handle Bar Block		4
28	17005170050	车把中间护罩定位板	Handle Bar Middle Shield Location Board		1
29	17011010190	油门线	Throttle Cable		1
30	04612080026	六角法兰放松螺母	Heagon flange locking nut 8	M8	4
31	17011020020	驻车线 (长款)	Parking cable (long version)		1
31	17311020020	驻车线 (短款)	Parking cable (short version)		1
32	17006010090	刹车油管卡	Clamp (for brake oil pipe)		1
33	01254060166	六角法兰螺栓	Allen bolt M6x16		1
34	04612060026	六角法兰放松螺母	Heagon flange locking nut 6x1.25		1
35	06119040905	平垫	Flat Washer	φ4xφ9x1	1
36					
37					
38					
39					
40					
41					
42					
43					
44					
45					

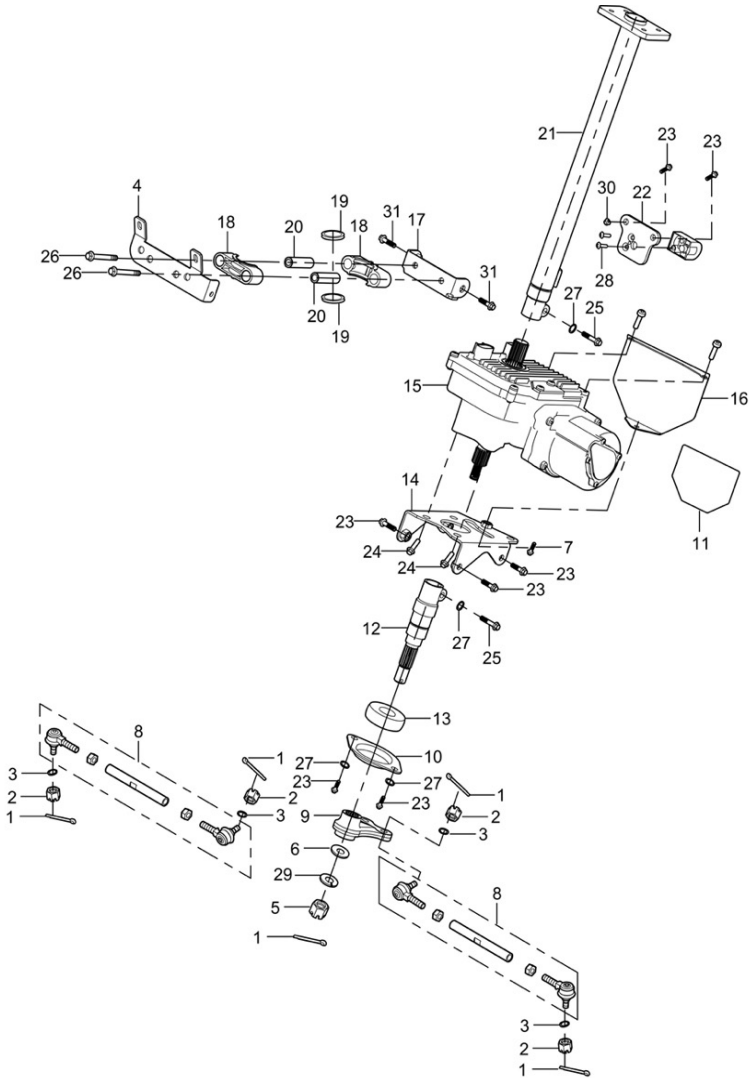
## 6、转向系统(助力) Steering system (EPS)

图号 Item No.	ERP 配件编号	中文名称 Chinese name	英文名称 English name	型号 Specification	单车 数量 Quantity
1	05011300252	开口销	Cotter Pin 3.0x25	φ3.0x25	3
2	04712100022	开槽螺母	Castle nut 10x1.25	M10×1.25	4
3	06119102005	平垫	Flat Washer 10.5×20×2	φ10.5×φ20×2	4
4	17007020070	空滤器前安装板	Air filter front mounting plate		1
5	04722160022	开槽螺母	Castle nut 16x1.5	M16x1.5	1
6	16101140050	碟型垫片平垫	Disc Gasket Washer	φ16.3x31.5x1.75	1
7	01224060165	六角法兰螺栓	Hex Flange Bolt	M6x16	1
8	13605120001	转向拉杆	Steering Link		2
9	17005110000	转向摇臂	Rocker Arm		1
10	17005190080	方向柱轴承压板	Steering column bearing pressure plate		1
11	17014130010	转向助力隔热膜	Steering power insulation film		1
12	17005110010	摇臂连接轴总成	Rocker arm joint shaft assembly		1
13	09560006203	方向柱轴承	Steering column bearing	cs204 s47x20x14	1
14	17005270060	转向助力固定板	Bracket , EPS Motor		1
15	17005270010	转向助力机体	Steering power body		1
16	17005270140	转向助力隔热板	Steering booster heat shield		1
17	17005190040	方向柱固定安装板	Steering column fixed mounting plate		1
18	13605190000	方向柱卡块	Steering Column Fixture Block		2
19	11020038310	O型圈	O RING	φ32.5x3	2
20	13605190010	方向柱卡块内衬套	Steering Column Fixture Block Neck Bush		2
21	17005050000	方向柱(转向助力)	Steering column (steering power)		1
22	17009040040	方向锁安装板	Steering lock mounting plate		1
23	01214080205	六角法兰螺栓	Hex Flange Bolt 8x20	M8×20	8

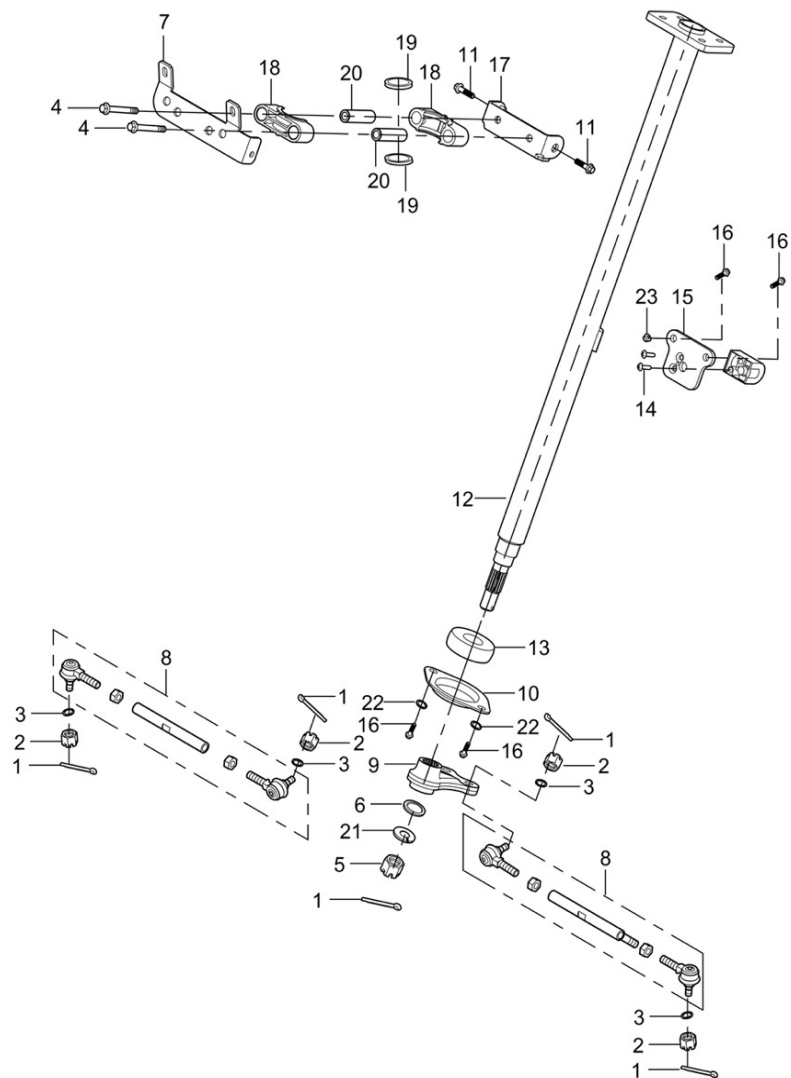


## 6、转向系统（助力） Steering system (EPS)

图号 Item No.	ERP 配件编号	中文名称 Chinese name	英文名称 English name	型号 Specification	单车 数量 Quantity
24	01225100206	六角法兰螺栓	Hex Flange Bolt 10x20x1.5	M10x20x1.5	4
25	01224080306	六角法兰螺栓	Hex Flange Bolt 8x30	M8x30	2
26	01214080655	六角法兰螺栓	Hex Flange Bolt 8x65		2
27	6619081405	弹垫	Spring Washer	φ8	4
28	03124060125	十字槽沉头螺钉	Cross slotted sunk screw 6x	6x12	2
29	06619162405	弹垫	Spring Washer	φ16	1
30	04612080026	六角法兰防松螺母	Heagon flange locking nut	M8	2
31	01256100206	六角法兰螺栓	Hex Flange Bolt 10x20x1.25	M10x20x1.25	2
32					
33					
34					
35					
36					
37					
38					
39					
40					
41					
42					
43					
44					
45					
46					

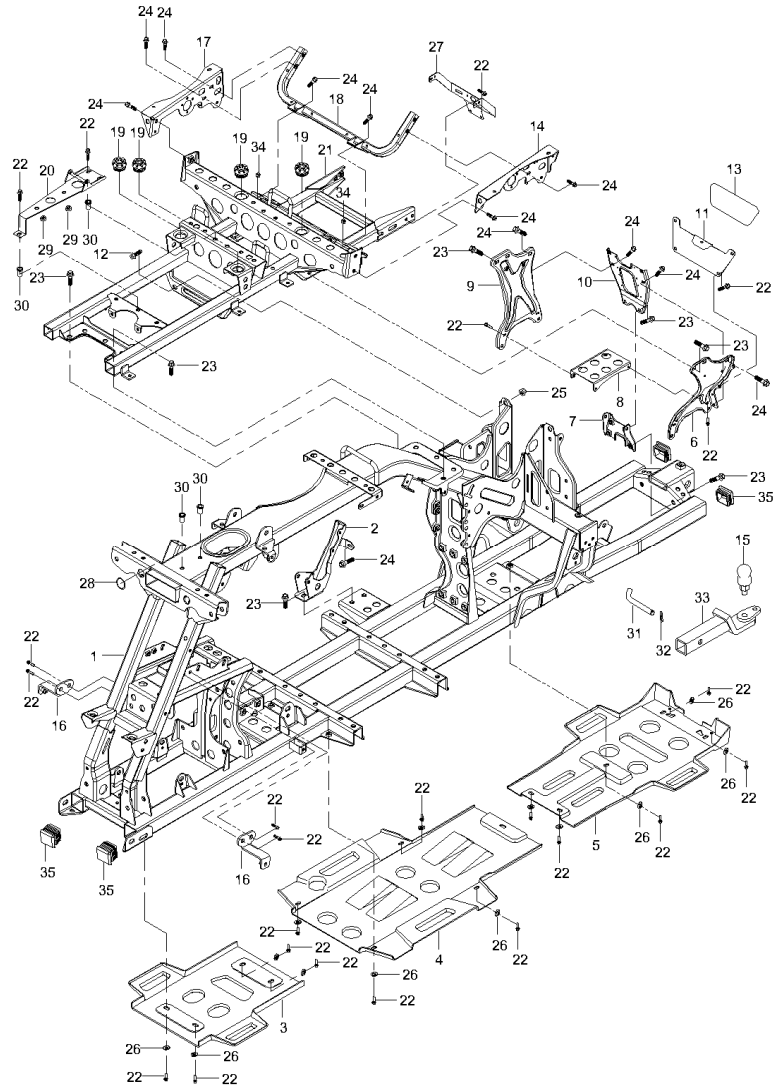


## 7、转向系统(普通) Steering system (EPS)



图号 Item No.	ERP 配件编号	中文名称 Chinese name	英文名称 English name	型号 Specification	单车 数量 Quantity
1	05011250255	开口销	Cotter Pin 2.5x25	φ2.5x25	3
2	04712100022	开槽螺母	Castle nut 10x1.25	M10×1.25	4
3	06119102005	平垫	Flat Washer 10.5×20×2	φ10.5×φ20×2	4
4	01214080655	六角法兰螺栓	Hex Flange Bolt 8x65		2
5	04722160022	开槽螺母	Castle nut 16x1.5	M16x1.5	1
6	16101140050	碟型垫片平垫	Disc Gasket Washer	φ16.3x31.5x1.75	1
7	17007020070	空滤器前安装板	Air filter front mounting plate		1
8	13605120001	转向拉杆	Steering Link		2
9	17005110000	转向摇臂	Rocker Arm		1
10	17005190080	方向柱轴承压板	Steering column bearing pressure plate		1
11	01256100206	六角法兰螺栓	Hex Flange Bolt 10×20×1.25	M10x20x1.25	2
12	17305050000	方向柱(普通)	Steering column (Normal)		1
13	09560006203	方向柱轴承	Steering column	cs204 s47x20x14	1
14	03124060125	十字槽沉头螺钉	Cross slotted sunk screw 6×	6×12	2
15	17009040040	方向锁安装板	Steering lock mounting plate		1
16	01214080205	六角法兰螺栓	Hex flange bolt 8x20	M8×20	4
17	17005190040	方向柱固定安装板	Steering column fixed mounting plate		1
18	13605190000	方向柱卡块	Steering Column Fixture Block		4
19	11020038310	O型圈	O RING	φ32.5x3	2
20	13605190010	方向柱卡块内衬套	Steering Column Fixture Block Neck Bush		2
21	06619162405	弹垫	Spring Washer	φ16	1
22	06619081405	弹垫	Spring Washer		2
23	04612080026	六角法兰防松螺母	Heagon flange locking nut	M8	2

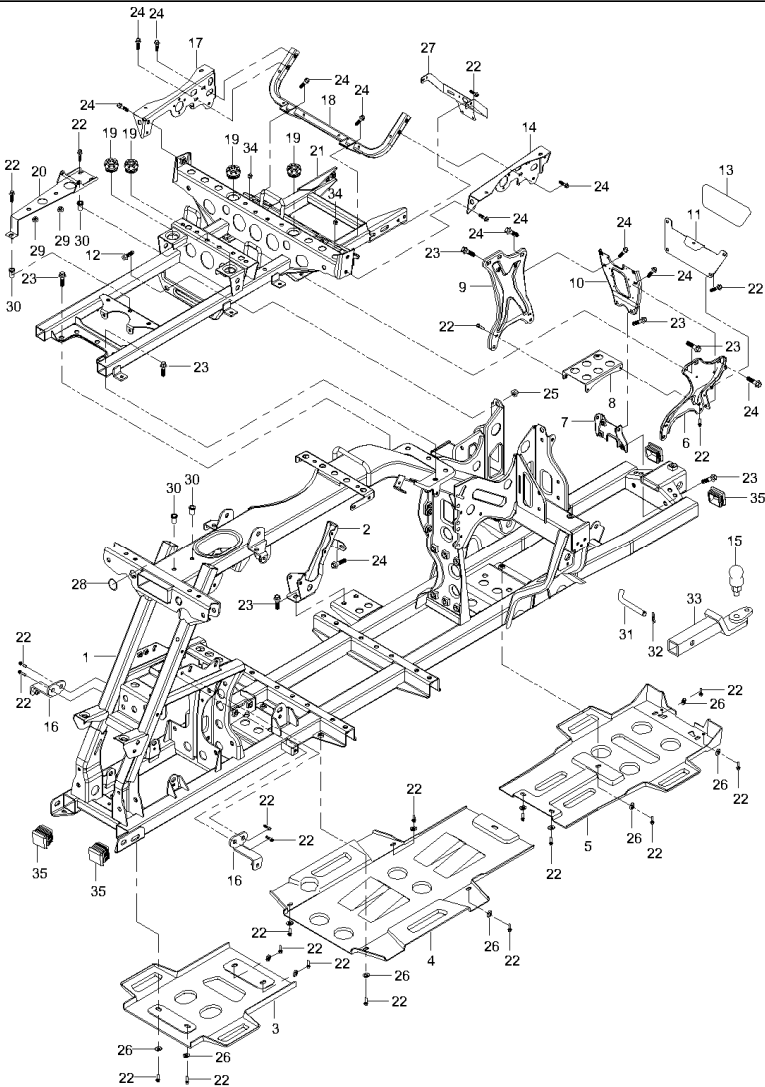
## 8、车架及配件(长款) Frame and accessories (Long)



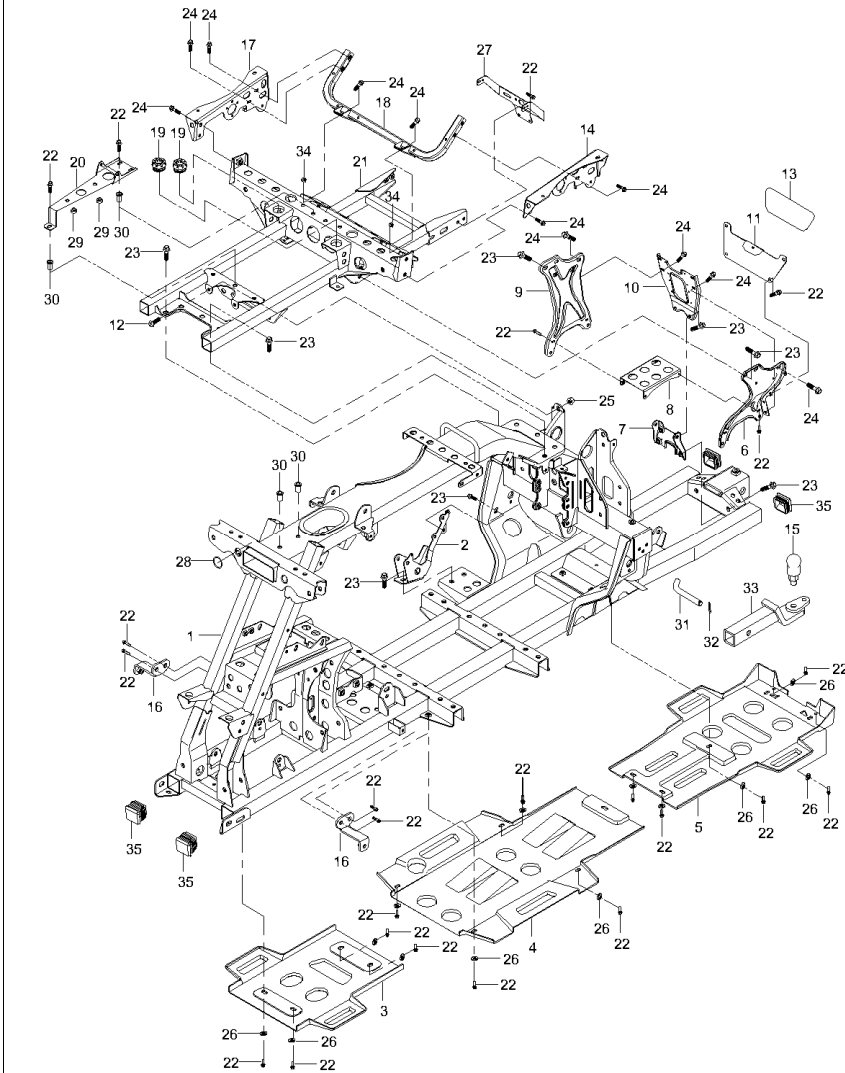
图号 Item No.	ERP 配件编号	中文名称 Chinese name	英文名称 English name	型号 Specification	单车 数量 Quantity
1	17008010000	车架	Frame		1
2	17000600010	主泵安装支架(长款)	Main pump mounting bracket (Long)		1
3	17008010060	前底护板	Front bottom shield		1
4	17008010070	中底护板	Middle bottom shield		1
5	17008010070	后底护板	Rear bottom shield		1
6	17008250060	后桥安装板(左)	Rear axle mounting plate (Left)		1
7	17008250090	后桥加强板2	Rear axle reinforcement plate 2		1
8	17004180030	油箱后安装板	Fuel tank rear mounting plate		1
9	17008250070	后桥安装板(右)	Rear axle mounting plate (Right)		1
10	17008250080	后桥加强板1	Rear axle reinforcement plate 1		1
11	17004180010	油箱隔热板	Fuel tank insulation panel		1
12	01256100256	六角法兰螺栓	Hex Flange Bolt 10×25×1.25	M10×25×1.25	2
13	17014130010	油箱隔热板隔热膜	Fuel tank insulation panel insulation film		1
14	17008130150	后货架支撑板(左)	Rear rack support plate (left)		1
15	13608420130	拖车球头	Tow Ball 2"		1
16	17010580030	前挡泥板安装支耳	Front fender mounting lugs		2
17	17008130160	后货架支撑板(右)	Rear rack support plate (Right)		1
18	17008130010	后货架连接架	Rear rack attachment bracket		1
19	17014020010	座垫橡胶垫	Seat Rubber Spacer		4
20	17009090200	电瓶压板	Battery Holder		1
21	17008010010	长款副车架	Long subframe		1
22	01224060165	六角法兰螺栓	Hex Flange Bolt	M6×16	31
23	01256100206	六角法兰螺栓	Hex Flange Bolt 10×20×1.25	M10×20×1.25	14

## 8、车架及配件 (长款) Frame and accessories (Long)

图号 Item No.	ERP 配件编号	中文名称 Chinese name	英文名称 English name	型号 Specification	单车 数量 Quantity
24	01214080165	六角法兰螺栓	Hex Flange Bolt 8x16	M8x16	16
25	04622100026	六角法兰防松螺母	Hexagon flange locking nut	M10x1.25	2
26	06119061805	平垫	Washer 6.5×18×1	φ6.5xφ18x1	14
27	17009140010	后牌照灯支架	Rear License Plate Lamp Bracket		1
28	17012050170	水管隔套	Water pipe spacer		1
29	10710150170	货箱底部橡胶座	Cargo box bottom rubber		2
30	04512060027	拉铆螺母	Rivet Nut 6	M6	17
31	10908420030	拖车挂钩固定销	Tow Ball Fixed Pin		1
32	10908420040	拖车挂钩开口销	Tow Ball Pin		1
33	10908420080	牵引拖车挂钩 (不带固定板) (黑亮)	Towing trailer hitch (without fixing plate) (black glossy)		1
34	04612080026	六角法兰防松螺母	Hexagon flange locking nut	M8	2
35	17008010050	车架堵头 (40x40)			4
36					
37					
38					
39					
40					
41					
42					
43					
44					
45					
46					



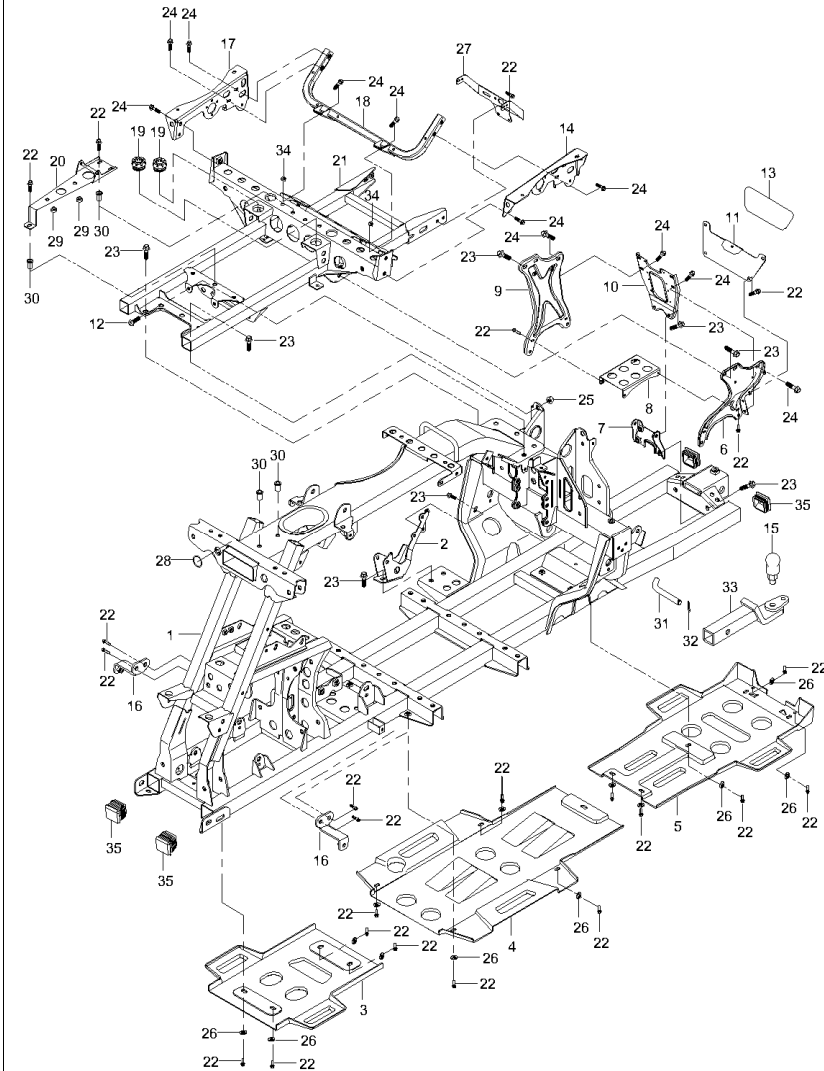
## 9、车架及配件（短款）Frame and accessories (Short)



图号 Item No.	ERP 配件编号	中文名称 Chinese name	英文名称 English name	型号 Specification	单车 数量 Quantity
1	17308010000	车架	Frame		1
2	17306080010	主泵安装支架总成（短款）	Main pump mounting bracket (Short)		1
3	17008010060	前底护板	Front bottom shield		1
4	17008010080	中底护板	Middle bottom shield		1
5	17008010070	后底护板	Rear bottom shield		1
6	17008250060	后桥安装板（左）	Rear axle mounting plate (left)		1
7	17008250090	后桥加强板2	Rear axle reinforcement plate 2		1
8	17004180030	油箱后安装板	Fuel tank rear mounting plate		1
9	17008250070	后桥安装板（右）	Rear axle mounting plate (Right)		1
10	17008250080	后桥加强板1	Rear axle reinforcement plate 1		1
11	17004180010	油箱隔热板	Fuel tank insulation panel		1
12	01256100256	六角法兰螺栓	Hex Flange Bolt 10×25×1.25	M10×25×1.25	2
13	17014130010	油箱隔热板隔热膜	Fuel tank insulation panel insulation film		1
14	17008130150	后货架支撑板（左）	Rear rack support plate (Left)		1
15	13608420130	拖车球头	Tow Ball 2"		1
16	17010580030	前挡泥板安装支耳	Front fender mounting lugs		2
17	17008130160	后货架支撑板（右）	Rear rack support plate (Right)		1
18	17008130010	后货架连接架	Rear rack attachment bracket		1
19	17014020010	座垫橡胶垫	Seat Rubber Spacer		2
20	17009090200	电瓶压板	Battery Holder		1
21	17308010010	短款副车架	Short subframe		1
22	01224060165	六角法兰螺栓	Hex Flange Bolt	M6×16	31
23	01256100206	六角法兰螺栓	Hex Flange Bolt 10×20×1.25	M10×20×1.25	14



## 9、车架及配件 (短款) Frame and accessories (Short)

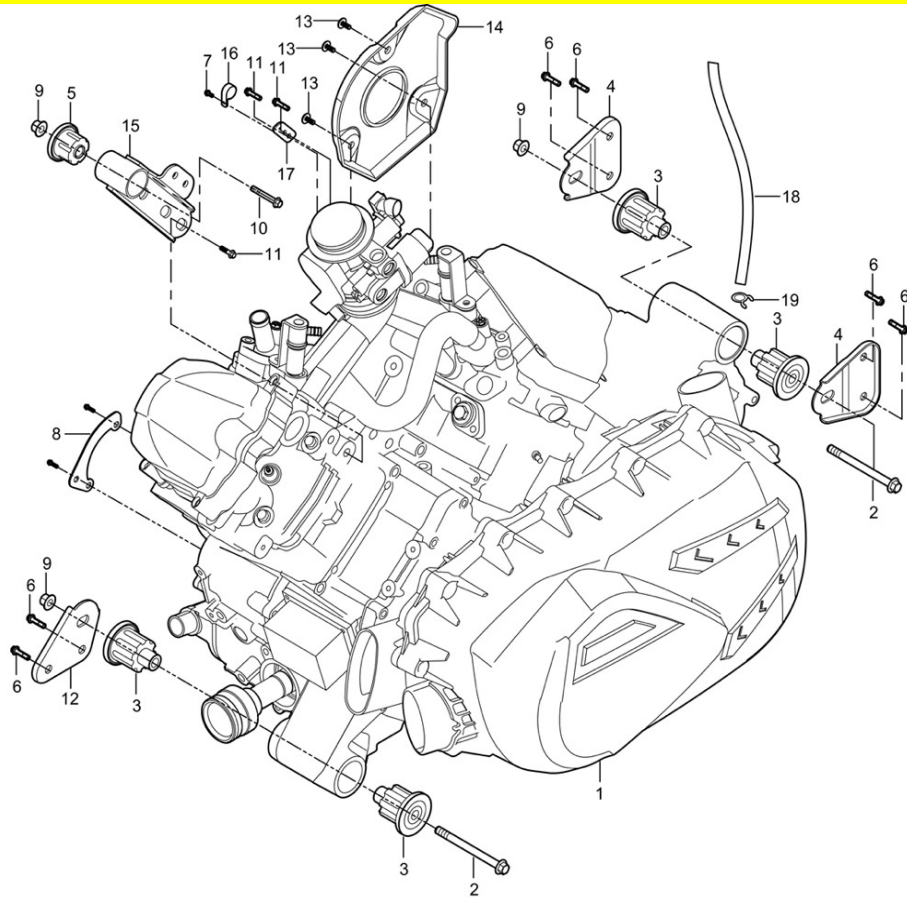


图号 Item No.	ERP 配件编号	中文名称 Chinese name	英文名称 English name	型号 Specification	单车 数量 Quantity
24	01214080165	六角法兰螺栓	Hex Flange Bolt 8x16	M8x16	16
25	04622100026	六角法兰防松螺母	Hexagon flange locking nut	M10x1.25	2
26	06119061805	平垫	Washer 6.5×18×1	φ6xφ18x1	14
27	17009140010	后牌照灯支架	Rear License Plate Lamp Bracket		1
28	17012050170	水管隔套	Water pipe spacer		1
29	10710150170	货箱底部橡胶座	Cargo box bottom rubber		2
30	04512060027	拉铆螺母	Rivet Nut 6	M6	9
31	10908420030	拖车挂钩固定销	Tow Ball Fixed Pin		1
32	10908420040	拖车挂钩开口销	Tow Ball Pin		1
33	10908420080	牵引拖车挂钩 (不带固定板) (黑亮)	Towing trailer hitch (without fixing plate) (black glossy)		1
34	04612080026	六角法兰防松螺母	Hexagon flange locking nut	M8	2
35	17008010050	车架堵头 (40x40)	Frame end cap (40x40)		4
36					
37					
38					
39					
40					
41					
42					
43					
44					
45					
46					

10、燃油系统Fuel system					
图号 Item No.	ERP 配件编号	中文名称 Chinese name	英文名称 English name	型号 Specification	单车 数量 Quantity
1	14114130040	隔热管	Heat Insulation Tube		1
2	11912010030	单耳无极卡箍	Hose clamp 14.8	14.8	8
3	10404040500	油管 (短款)	Fuel Hose(Short)	250mm	1
3	10404040500	油管 (长款)	Fuel Hose(Long)	420mm	1
4	10404040500	油管	Fuel Hose	470mm	1
5	13204060001	汽油过滤器	Fuel filter		1
6	13204060010	汽油过滤器支架	Fuel filter bracket		1
7	17004020000	油箱盖	Tank cap		1
8	17004010190	油泵上盖	Oil pump upper cover		1
9	04512060027	拉铆螺母	Rivet Nut 6	M6	1
10	17004080000	汽油泵	Fuel Pump		1
11	17004010160	燃油箱部件	Fuel tank		1
12	17004180020	油箱前安装板	Fuel tank front mounting plate		1
13	01224060165	六角法兰螺栓	Screw hex-flange	M6×16	1
14	06219092205	平垫	Washer 8.5×22×2	φ8.5×φ22×2	3
15	4612080026	六角法兰防松螺母	Hexagon flange locking nut	M8	1
16	01224080306	六角法兰螺栓	Hex Flange Bolt 8x30	M8x30	4
17	17012050120	油管三通	Fuel Hose		1
18	10404040500	油管	Fuel Hose	75mm	1
19	10904040080	油管护簧	Fuel Hose Protection Spring		1
20	17014130010	油箱左隔热膜	Fuel tank left heat insulation film		1
21	17014130010	油箱右隔热膜	Fuel tank right heat insulation film		1
22	17004010000	油箱	Fuel Tank		1

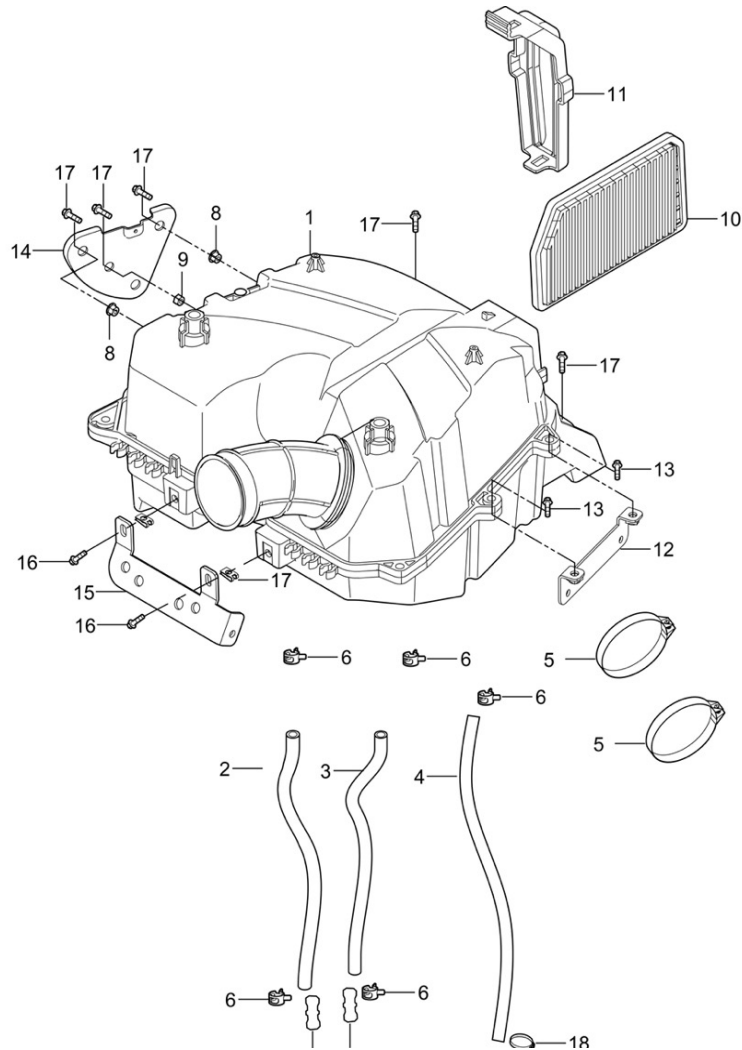
1118X10

## 11、发动机安装 Engine



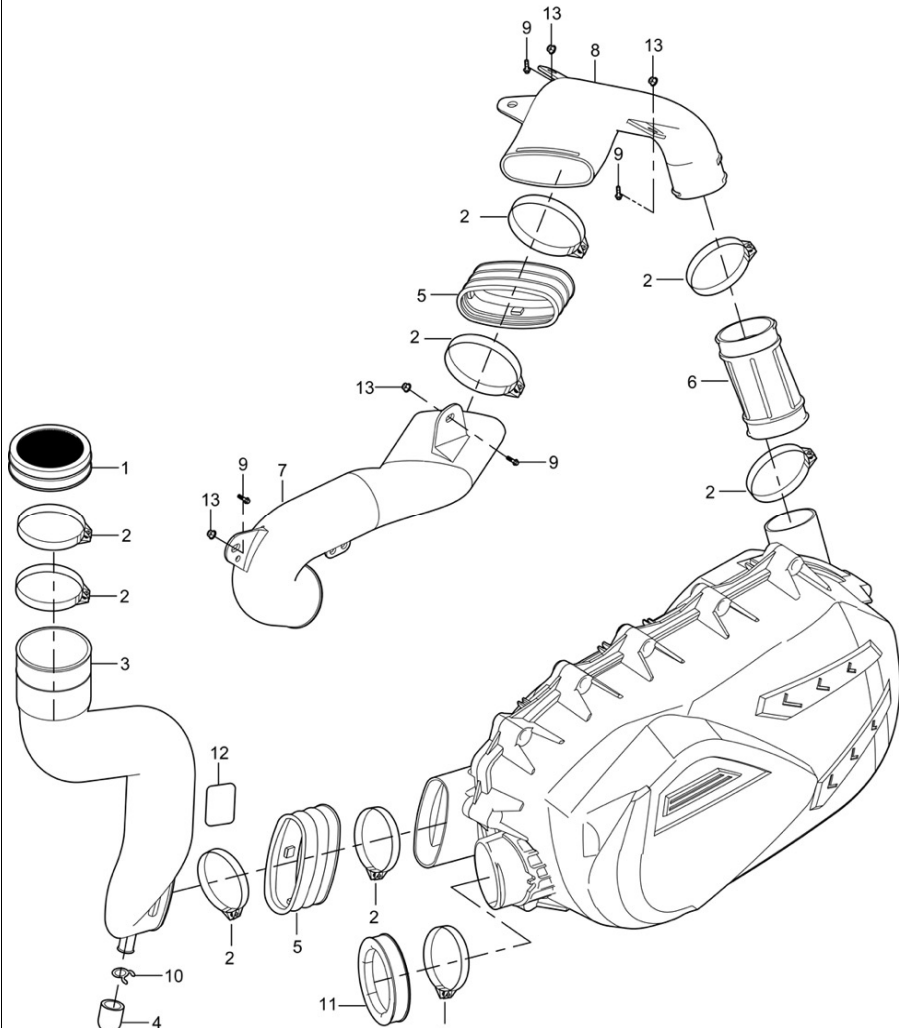
图号 Item No.	ERP 配件编号	中文名称 Chinese name	英文名称 English name	型号 Specification	单件 数量 Quantity
23	10404040500	油管	Fuel Hose	90mm	1
1	40650408210	650cc发动机 (小磁电机)	Engine (650cc)		1
1	41000409115	发动机 (1000cc)	Engine (1000cc)		1
1	40800409128	发动机 (800cc)	Engine (800cc)		1
2	01255101255	六角法兰螺栓	Hex Flange Bolt 10x125x1.25	M10x125	2
3	10402070000	发动机减震垫	Engine Rubber		4
4	17002180010	发动机后安装板	Engine rear mounting plate		2
5	21021100301	发动机上吊挂减震套	Engine Upper Hang Anti-vibration mount		1
6	01214080165	六角法兰螺栓	Hex Flange Bolt 8x16	M8x16	6
7	01224060165	六角法兰螺栓	Screw hex-flange	M6x16	1
8	17012050060	出水管固定板	Outlet pipe fixing plate		1
9	04622100026	六角法兰防松螺母	Hexagon flange locking nut 10x1.25	M10x1.25	3
10	01256100506	六角法兰螺栓	Hex Flange Bolt	M10x50x1.25	1
11	01225100206	六角法兰螺栓	Hex Flange Bolt 10x20x1.5	M10x20x1.5	4
12	17002170010	发动机前右安装板	Engine front mounting plate,Right		1
13	03414060124	内六角花形盘头螺钉	Phillips head screw	M6x12	3
14	17007030120	CVT护罩 (右前)	Front CVT Cover, RH		1
15	17302110000	发动机上吊挂 (650cc)	Engine Upper Hang (650cc)		1
15	17002110000	发动机上吊挂 (1000cc)	Engine Upper Hang (1000cc)		1
16	10109380030	线束固定卡3	Wire Harness Mounting Clamp 3	φ30	1
17	17009010290	线束固定板 (1000cc)	Wire holder(1000cc)		1
17	17309010290	线束固定板 (650cc)	Wire holder(650cc)		1
18	17007020130	变速箱通气管	Transmission vent pipe	320mm	1

## 12、进气系统Inlet System



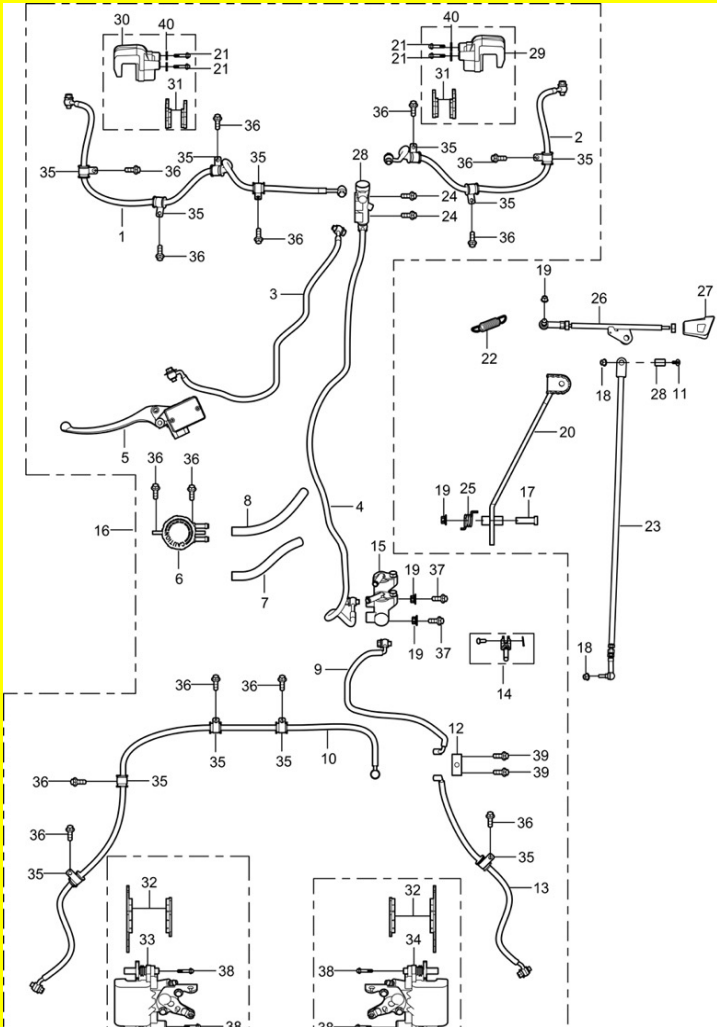
图号 Item No.	ERP 配件编号	中文名称 Chinese name	英文名称 English name	型号 Specification	单车 数量 Quantity
19	11904070030	喉箍	Spring hose clip	φ8	1
1	21170101701	空滤器总成(650)	Air filter with housing(650)		1
1	21051101801	空滤器总成(1000)	Air filter with housing(1000)		1
2	17007020130	空滤器漏水管I	Air filter leakage pipe I	685mm	1
3	17007020130	空滤器漏水管II	Air filter leakage pipe II	453mm	1
4	21170102101	废气管	Exhaust gas pipe		1
5	17007030270	卡箍(φ60-80)	Clamp 60-80	φ60-φ80	2
6	17004070060	喉箍	Spring hose clip	φ14.5	5
7	21170103401	空滤器放水塞	Air filter drain plug		2
8	04212080026	六角法兰防松螺母	Hexagon flange locking nut	M8	2
9	04612080026	六角法兰防松螺母	Hexagon flange locking nut	M8	1
10	21170101731	滤芯组合	Cartridge combination		1
11	21170101721	空滤器卡扣	Air filter clips		1
12	17009590010	ECU安装板	ECU mounting plate		1
13	01224060255	六角法兰螺栓	Hex Flange Bolt 6x25	M6×25	2
14	17008220000	换挡固定板	Gearshift fixing plate		1
15	17007020070	空滤器前安装板	Air filter front mounting plate		1
16	01224060165	六角法兰螺栓	Screw hex-flange	M6×16	5
17	01214080165	六角法兰螺栓	Hex Flange Bolt 8x16	M8x16	5
18	21130103201	卡箍	Clamp		1
19					
20					
21					

## 13、CVT进排气系统Engine system



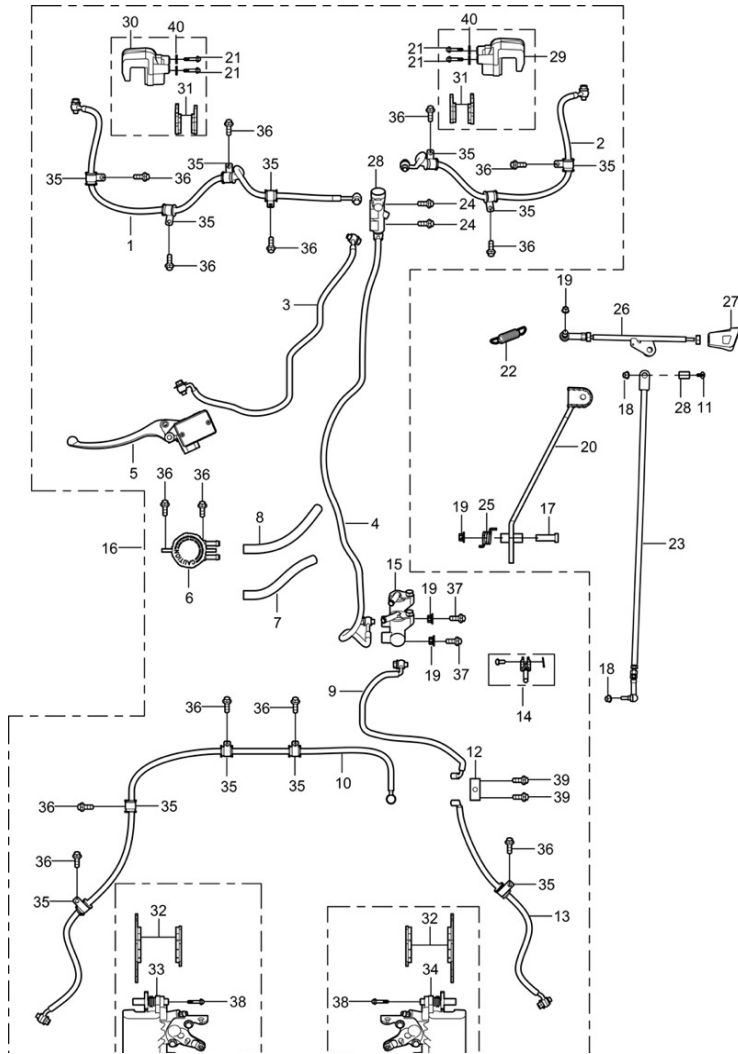
图号 Item No.	ERP 配件编号	中文名称 Chinese name	英文名称 English name	型号 Specification	单车 数量 Quantity
22					
1	17007030260	CVT进气口胶套组合	CVT Air Inlet sleeve combination		1
2	17007030270	卡箍 (φ60-80)	Clamp 60-80	φ60-φ80	9
3	17007030000	CVT进气管	CVT Air Inlet Pipe		1
4	17007050160	放水胶塞	Drain plug		1
5	17007030010	CVT进气管皮套	CVT Air Inlet Pipe Boot		2
6	17007040010	CVT出气管皮套	CVT Air Outer Pipe Boot		1
7	17007040000	CVT出气管1	CVT Air Outer 1		1
8	17007040050	CVT出气管2	CVT Air Outer 2		1
9	01224060165	六角法兰螺栓	Screw hex-flange	M6×16	4
10	10404070020	单钢丝卡箍	Wire Clamp	11mm-13.5mm	1
11	21170102201	CVT出气密封套	CVT Air Outlet Seal Bushing		1
12	17014130010	CVT进气管隔热膜	CVT Air Inlet Pipe Insulation Film		1
13	04612060026	六角法兰防松螺栓	Heagon flange locking bolt	M6	4
14					
15					
16					
17					
18					
19					
20					
21					
22					

14、制动系统 (含长短款) Braking system(Long and Short)



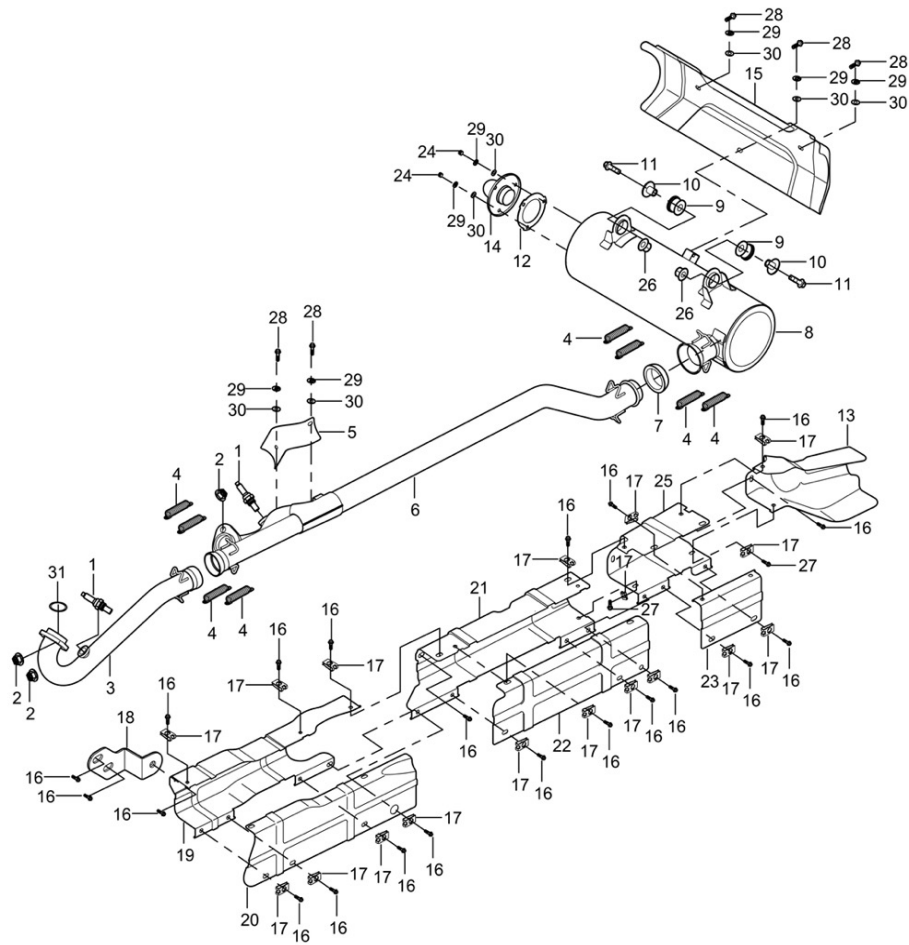
图号 Item No.	ERP 配件编号	中文名称 Chinese name	英文名称 English name	型号 Specification	单车 数量 Quantity
23					
1	17006010160	碟刹系统总成 前左分泵软管总成	Disc brake system assembly Front left distributor pump hose assembl		1
2	17006010170	碟刹系统总成 前右分泵软管总成	Disc brake system assembly Front right distributor pump hose assembl		1
3	17006010370	手刹总泵软管总成	Hand Brake Hose		1
4	17006010380	脚刹前总泵软管总成	Foot Brake Front Brake Hose		1
5	17006010360	手刹制动总泵	Hand Brake Pump		1
6	17006010590	制动油杯 (T3)	Oil cup, brake system(T3)		1
6	13606010440	制动油杯	Oil cup, brake system		1
7	17006010420	脚刹总泵总成 后端输油管	Oil hose		1
8	17006010410	脚刹总泵总成 前端输油管	Oil hose		1
9	17006010390	脚刹后总泵软管总成	Foot Brake Rear Brake Hose		1
9	17306010390	脚刹后总泵软管总成	Foot Brake Rear Brake Hose		1
10	17006010260	后左分泵软管总成	Rear Brake Hose, Driver Side		1
11	01254060256	六角法兰螺栓	Hex Flange Bolt	M6×25	1
12	17006010460	后三通	Three Links		1
13	17006010250	后右分泵软管总成	Rear Brake Hose, Passenger		1
14	15106010470	顶针U型件	Brake thimble		1
15	17006010270	刹车总泵	Brake Master Cylinder		1
16	17006010540	碟刹制动器总成(长款)	Brake system(Long)		1
16	17006010550	碟刹制动器总成(短款)	Brake system(Short)		1
17	01824081506	六角法兰台阶螺栓	Hexagonal flange step bolts		1
18	04612060025	六角法兰防松螺母	Hexagonal flange locking nut 6 M6		1
19	04612080026	六角法兰防松螺母	Hexagonal flange locking nut M8		4

## 14、制动系统（含长短款）Braking system(Long and Short)



图号 Item No.	ERP 配件编号	中文名称 Chinese name	英文名称 English name	型号 Specification	单车 数量 Quantity
20	17006030000	脚踏踏板	Brake Pedal		1
21	01256100256	六角法兰螺栓	Hex Flange Bolt	M10x25x1.25	4
22	13611050020	变档拉簧	Gear Shifting Spring		1
23	17011120020	变档拉杆 (1000)	Gear Shifting (1000)		1
23	17311120020	变档拉杆 (650)	Gear Shifting (650/800)		1
24	01224060305	六角法兰螺栓	Hex Flange Bolt	M6x30	2
25	16106030020	脚踏踏板回位簧	Foot brake pedal return spring		1
26	17011060000	变档杆手柄(1000)	Gear Shifter (1000)		1
26	17311060000	变档杆手柄(650)	Gear Shifter (650/800)		1
27	17011050000	变档球	Gear Shift Ball		1
28	17011060130	变档内衬套	Gear Shifter Inner sleeve		1
29	17006010050	前碟刹卡钳 (右)	Front calliper (right hand)		1
30	17006010040	前碟刹卡钳 (左)	Front calliper (left hand)		1
31	17006010060	前刹车蹄块	Front brake pads		2
32	17006010080	后刹车蹄块	Rear brake pads		2
33	17006010150	后碟刹卡钳 (右)	Rear disc brake caliper (right)		1
34	17006010140	后碟刹卡钳 (左)	Rear disc brake caliper (left)		1
35	17006010090	刹车油管卡	Clamp (for brake oil pipe)		12
36	01224060125	六角法兰螺栓	Screw hex-flange	M6x12	16
37	01224080306	六角法兰螺栓	Hex Flange Bolt 8x30	M8x30	1
38	01225100206	六角法兰螺栓	Hex Flange Bolt 10x20x1.25	10x20x1.25	4
39	03344060205	内六角圆柱头螺栓	Hex Flange Bolt M6X20	M6X20	4
40	06119102005	平垫	Washer	φ10.5×φ20×2	4

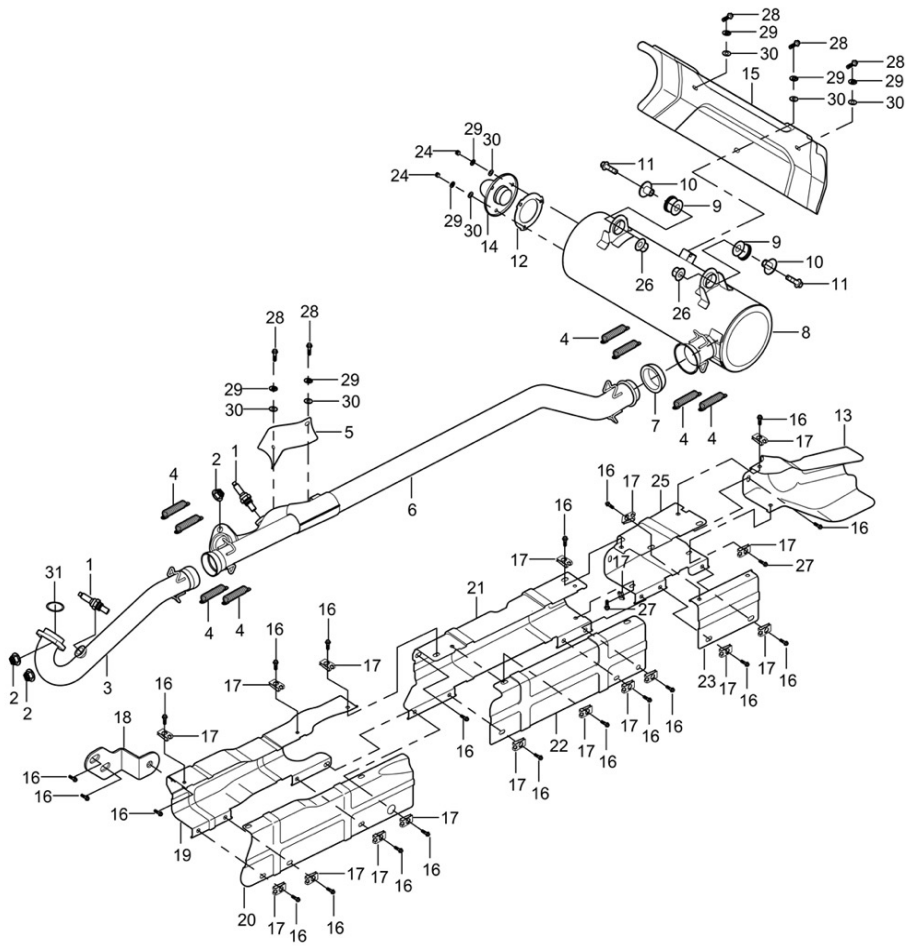
## 15、排气系统（长款） Exhaust system(Long)



图号 Item No.	ERP 配件编号	中文名称 Chinese name	英文名称 English name	型号 Specification	单车 数量 Quantity
41					
1	21040400701	氧传感器	O2 sensor		2
2	04512080025	六角法兰自锁螺母	Hex Flange Locking Nut 8	M8	4
3	17307010060	一缸排气管（650cc）	Front Exhaust Pipe(650cc/800cc)		1
3	17007010060	一缸排气管（1000cc）	Front Exhaust Pipe(1000cc)		1
4	17007010340	排气管拉簧	Exhaust Pipe Tension Spring		8
5	17307010290	二缸排气管隔热板（650cc）	Rear Cylinder Exhaust Pipe Insulation Board（650cc/800cc）		1
5	17007010290	二缸排气管隔热板（1000cc）	Rear Cylinder Exhaust Pipe Insulation Board(1000cc)		1
6	17307010070	二缸排气管（650cc长款）	Rear Exhaust Pipe（650cc/800cc long wheelbase）		1
6	17007010070	二缸排气管（1000cc长款）	Rear Exhaust Pipe(1000cc long wheelbase)		1
7	17007010170	石墨密封套	Graphite sealing sleeve		1
8	17007090000	消声器	Muffler	206.83+516	1
8	17307090000	消声器	Muffler	206.83+337	1
9	13607010140	消音器吊挂橡胶套	Muffler Hang Rubber Sleeve		2
10	13607010190	消音器吊挂内衬套	Muffler Hang Neck Bushing		2
11	01224080356	六角法兰螺栓	Hex Flange Bolt	M8×35	2
12	17007010170	石墨垫片	Graphite Gasket		1
13	17007010310	消音器隔热板（前）	Muffler heat shield (Front)		1
14	17007010770	尾部排气组合	Tail exhaust combination		1
15	17007010320	消音器隔热板（后）	Muffler heat shield (Rear)		1
16	01224060165	六角法兰螺栓	Screw hex-flange	M6×16	27
17	17007010780	卡扣	Buckle	M6	25
18	17007010760	排气管隔热前安装支耳	Mounting lugs before exhaust pipe insulation		1

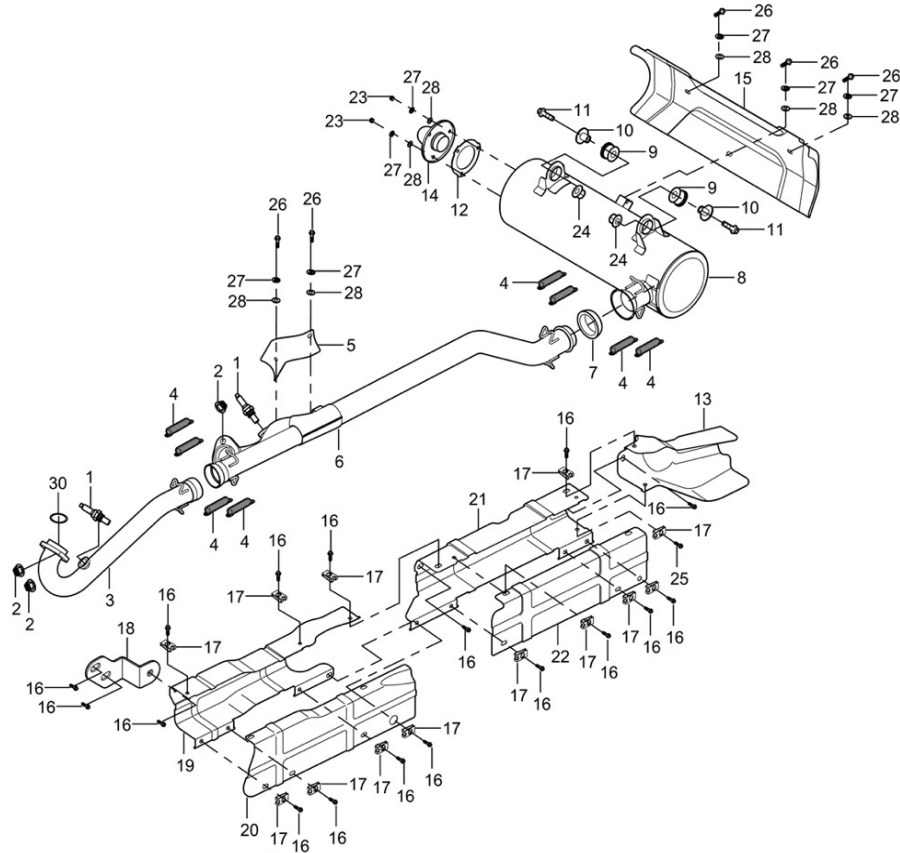


## 15、排气系统（长款）Exhaust system(Long)



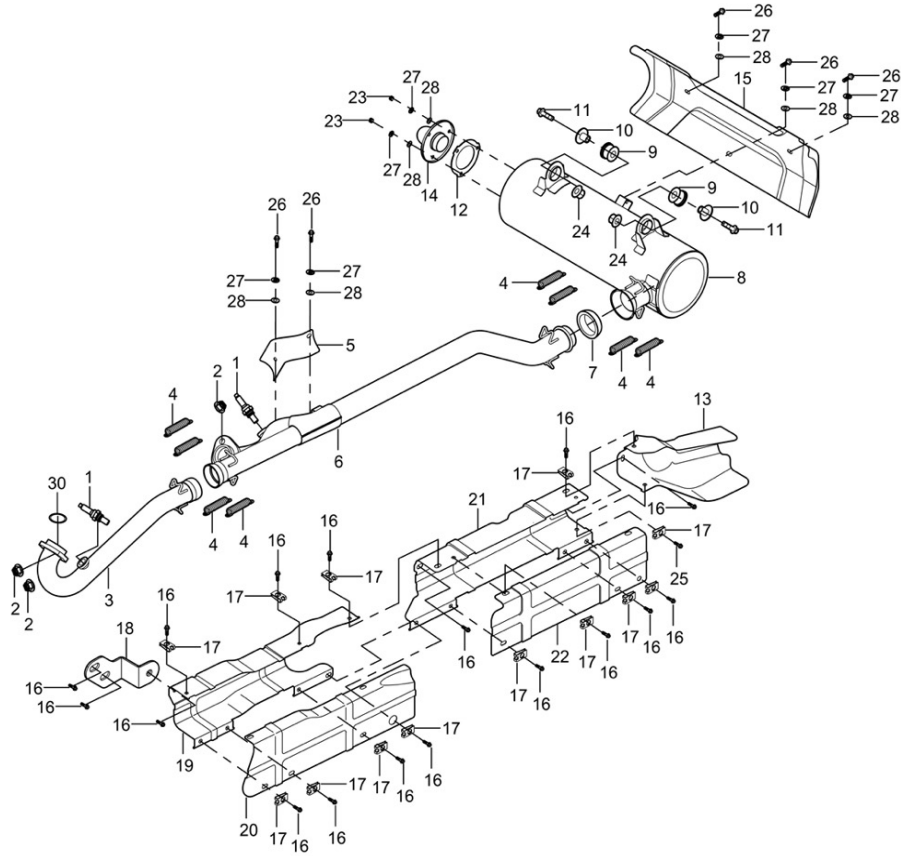
图号 Item No.	ERP 配件编号	中文名称 Chinese name	英文名称 English name	型号 Specification	单车 数量 Quantity
19	17007010380	一缸排气管隔热板（内）	Front Cylinder Exhaust Pipe Insulation Board (Inner)		1
20	17007010370	一缸排气管隔热板（外）	Front Cylinder Exhaust Pipe Insulation Board (Outer)		1
21	17007010400	二缸排气管隔热板（后）	Rear Cylinder Exhaust Pipe Insulation Board(Rear)		1
22	17007010390	二缸排气管隔热板（前）	Rear Cylinder Exhaust Pipe Insulation Board(Front)		1
23	17007010410	中部排气管隔热板（外）	Middle Exhaust Pipe(Outer) With Insulation Film		1
24	04312060023	盖型螺母	Cap nuts	M6	3
25	17007010420	中部排气管隔热板（内）	Middle Exhaust Pipe(Inner) With Insulation Film		1
26	04512080025	六角法兰自锁螺母	Hex Flanged elastic nut	M8	2
27	01254060126	六角法兰螺栓	Hex Flange Bolt	M6×12	2
28	01244060163	六角法兰螺栓	Hex Flange Bolt	M6x16	6
29	06619061003	弹簧垫片	Spring Washer	φ6	9
30	06119061203	平垫	Washer	φ6xφ12x1	9
31	21040400101	排气管垫片	exhaust pipe seal washer		2
32					
33					
34					
35					
36					
37					
38					
39					
40					
41					

## 16、排气系统（短款） Exhaust system(Short)



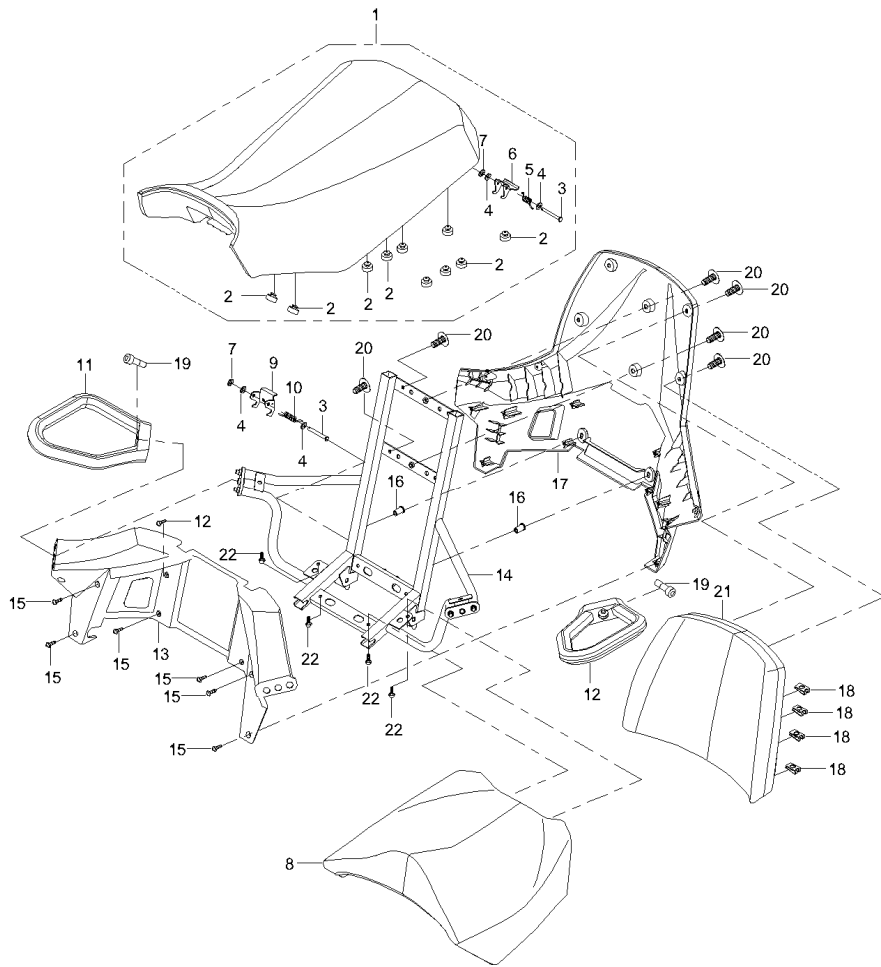
图号 Item No.	ERP 配件编号	中文名称 Chinese name	英文名称 English name	型号 Specification	单车 数量 Quantity
42					
1	21040400701	氧传感器	O2 sensor		2
2	04512080025	六角法兰自锁螺母	Hex Flange Locking Nut 8	M8	4
3	17307010060	一缸排气管（650cc）	Front Exhaust Pipe(650cc/800cc)		1
3	17007010060	一缸排气管（1000cc）	Front Exhaust Pipe(1000cc)		1
4	17007010340	排气管拉簧	Exhaust Pipe Tension Spring		8
5	17307010290	二缸排气管隔热板（650cc）	Rear Cylinder Exhaust Pipe Insulation Board（650cc/800cc）	Rear Cy	1
5	17007010290	二缸排气管隔热板（1000cc）	Rear Cylinder Exhaust Pipe Insulation Board(1000cc)		1
6	17307010330	二缸排气管（650cc短款）	Rear Exhaust Pipe(650cc/800cc Short wheelbase)		1
6	17007010330	二缸排气管（1000cc短款）	Rear Exhaust Pipe(1000cc Short wheelbase)		1
7	17007010170	石墨密封圈	Graphite sealing sleeve		1
8	17007090000	消声器	Muffler		1
8	17307090000	消声器	Muffler		1
9	13607010140	消音器吊挂橡胶套	Muffler Hang Rubber Sleeve		2
10	13607010190	消音器吊挂内衬套	Muffler Hang Neck Bushing		2
11	01224080356	六角法兰螺栓	Hex Flange Bolt	M8×35	2
12	17007010170	石墨垫片	Graphite Gasket		2
13	17007010310	消音器隔热板（前）	Muffler heat shield (Front)		1
14	17007010770	尾部排气组合	Tail exhaust combination		1
15	17007010320	消音器筒体防护板	Muffler heat shield (Rear)		1
16	01224060165	六角法兰螺栓	Screw hex-flange	M6×16	21
17	17007010780	卡扣	Buckle	M6	19
18	17007010760	排气管隔热前安装支耳	Mounting lugs before exhaust pipe insulation		1

16、排气系统（短款） Exhaust system(Short)



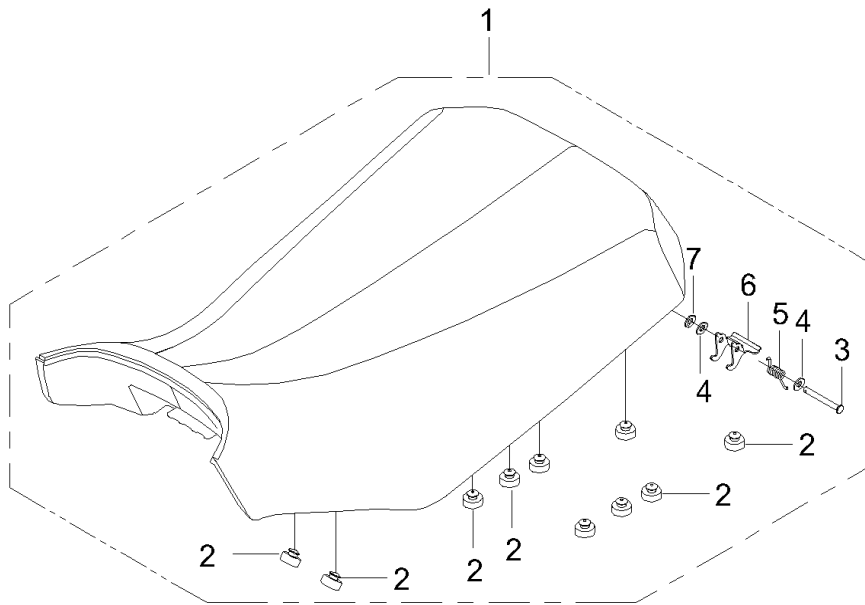
图号 Item No.	ERP 配件编号	中文名称 Chinese name	英文名称 English name	型号 Specification	单车 数量 Quantity
19	17007010380	一缸排气管隔热板（内）	Front Cylinder Exhaust Pipe Insulation Board (Inner)		1
20	17007010370	一缸排气管隔热板（外）	Front Cylinder Exhaust Pipe Insulation Board (Outer)		1
21	17007010400	二缸排气管隔热板（后）	Rear Cylinder Exhaust Pipe Insulation Board(Rear)		1
22	17007010390	二缸排气管隔热板（前）	Rear Cylinder Exhaust Pipe Insulation Board(Front)		1
23	04312060023	盖型螺母	Middle Exhaust Pipe(Outer)	M6	3
24	04512080025	六角法兰自锁螺母	Cap nuts	M8	2
25	01254060126	六角法兰螺栓	Hex Flange Bolt	M6×12	1
26	01244060163	六角法兰螺栓	Hex Flange Bolt	M6x16	6
27	06619061003	弹垫	Spring Washer	φ6	9
28	06119061203	平垫	Washer	φ6xφ12x1	9
29	21040400101	排气管垫片	exhaust pipe seal washer		2
30					
31					
32					
33					
34					
35					
36					
37					
38					
39					
40					
41					

## 17、座椅 (长款) Seat (Long)



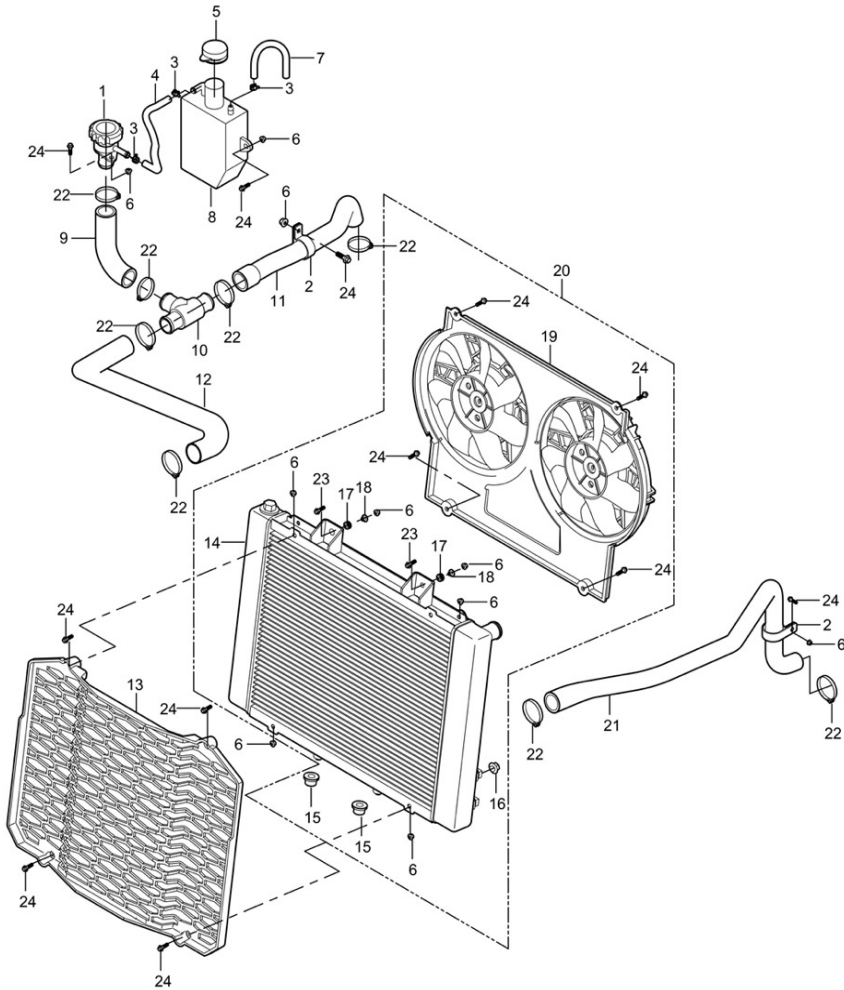
图号 Item No.	ERP 配件编号	中文名称 Chinese name	英文名称 English name	型号 Specification	单件 数量 Quantity
42					
1	17014020110	座垫(不带离车报警)	Seat cushion (without off-vehicle alarm)		1
1	17014020130	座垫(带离车报警)	Seat cushion (with off-vehicle alarm) for EU market with T3		1
2	17014020250	前座椅橡胶垫	Front seat rubber cushion		8
3	17014020270	座垫轴销	Seat cushion shaft pin		1
4	06119061805	平垫	Washer 6.5×18×1	φ6.5xφ18x1	2
5	17014020280	前座垫扭簧	Front seat cushion torsion spring		1
6	17014020290	前座垫锁扣	Front seat cushion latch		1
7	07031050501	E型卡簧	E clip spring		1
8	17014020070	后座垫	Rear seat cushion		1
9	17014020240	后座椅挂钩限位板	Rear seat hook limit plate		1
10	17014020260	后座椅扭簧	Rear seat torsion spring		1
11	17008080020	后右扶手	Rear right armrest		1
12	17008070020	后左扶手	Rear left armrest		1
13	17014020220	后靠背罩壳	Rear backrest front cover shell		1
14	17008090000	后座椅安装支架	Rear seat mounting bracket		1
15	03714420165	自攻钉	Tapping screws	ST4.2x12	14
16	04512060027	拉铆螺母	Rivet Nut 6	M6	4
17	17014020230	后靠背罩壳	Rear backrest rear cover shell		1
18	04912060025	夹板螺母 (加长)	Plate Nut (Long)		8
19	01214080255	六角法兰螺栓	Hex Flange Bolt	M8×25	2
20	03414060164	内六角花形盘头螺钉	Phillips head screw	M6×16	10
21	17014020140	后座椅靠背	Rear seat backrest		1

## 18、座椅（短款）Seat (Short)



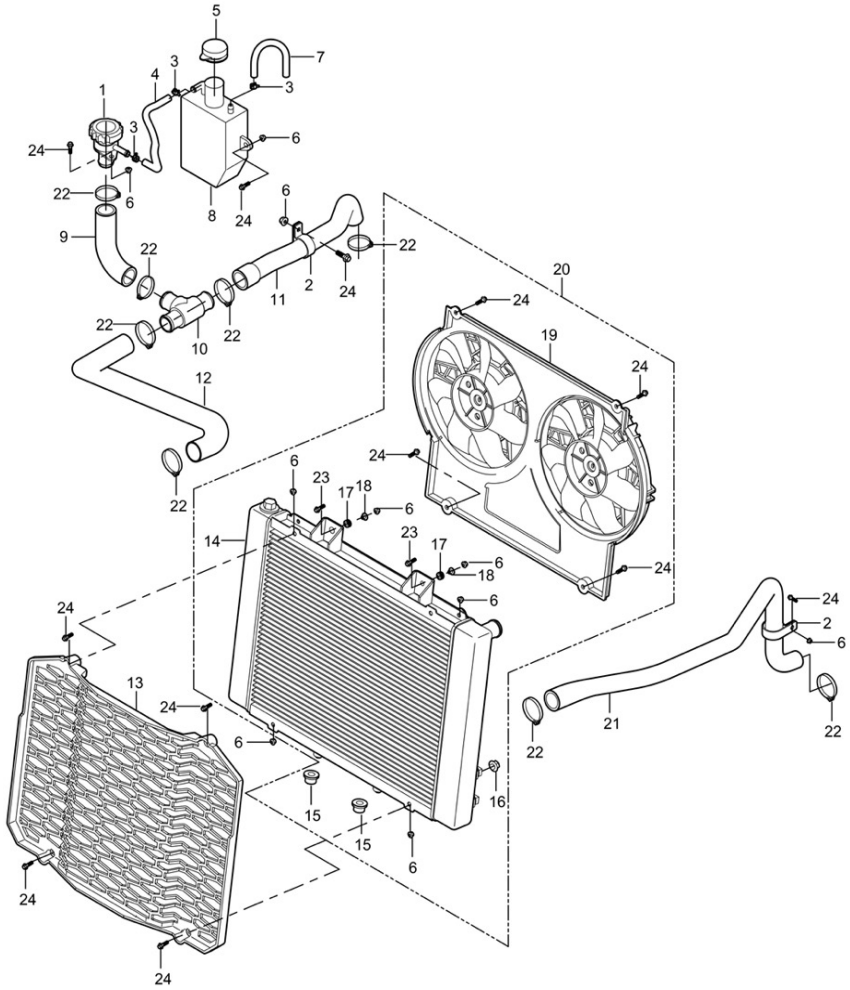
图号 Item No.	ERP 配件编号	中文名称 Chinese name	英文名称 English name	型号 Specification	单车 数量 Quantity
22	01224060165	六角法兰螺栓	Hex Flange Bolt M6×16		4
23					
1	17014020110	座垫(不带离车报警)	seat (without off-vehicle alarm)		1
1	17014020130	座垫(带离车报警)	Seat cushion (with off-vehicle alarm) for EU market with T3		1
2	17014020250	前座椅橡胶垫	Front seat rubber cushion		8
3	17014020270	座垫轴销	Seat cushion shaft pin		1
4	06119061805	平垫	Washer 6.5×18×1	φ6.5xφ18x1	2
5	17014020280	前座垫扭簧	Front seat cushion torsion spring		1
6	17014020290	前座垫锁扣	Front seat cushion latch		1
7	07031050501	E型卡簧	E clip spring		1
8					
9					
10					
11					
12					
13					
14					
15					
16					
17					
18					
19					
20					

## 19、冷却系统Cooling System



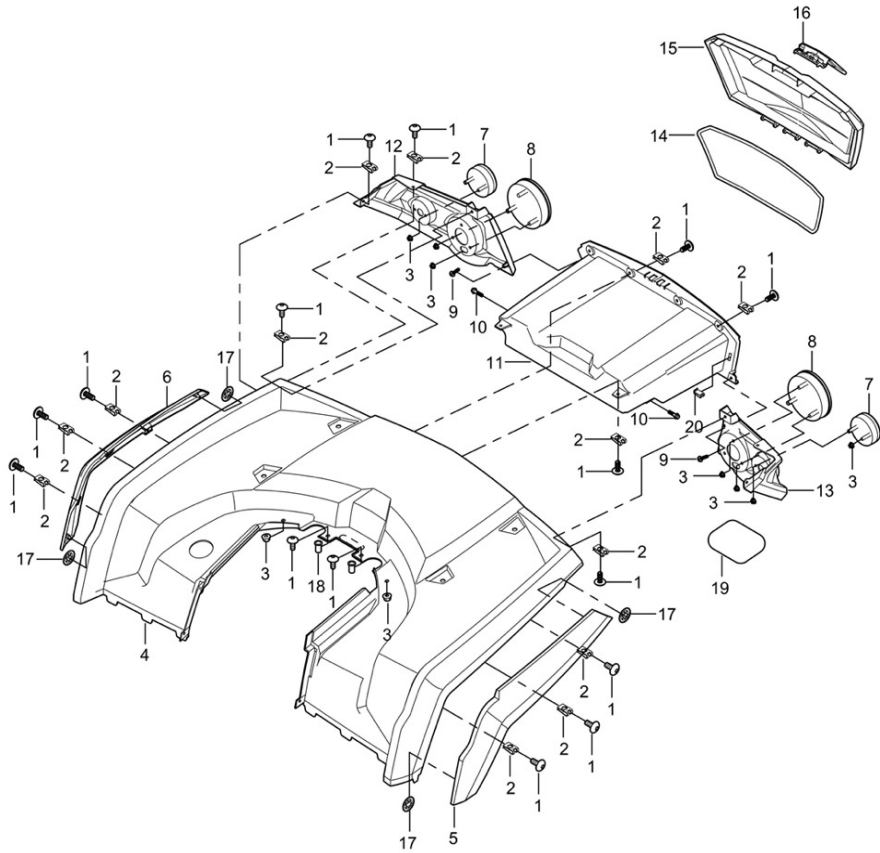
图号 Item No.	ERP 配件编号	中文名称 Chinese name	英文名称 English name	型号 Specification	单车 数量 Quant
21					
22					
1	21040400913	水箱盖	Radiator cap		1
2	10109380030	线束固定卡3	Wire Harness Mounting Clamp 3	φ30	2
3	11904070040	喉箍	Spring hose clip 10	φ10	3
4	17012050080	副水箱连接管	Sub tank connection pipe	φ7-φ9 L=130	1
5	17012040030	副水壶盖	Sub kettle cover		1
6	04612060025	六角法兰防松螺母	Hexagon flange locking nut 6	M6	12
7	17012050080	副水壶通气管	Sub Kettle Ventilation Tube	φ7-φ9 L=86	1
8	13612040000	副水壶	Sub kettle		1
9	17012050050	加水口水管	Radiator Cap Hose		1
10	17012050120	三通接头	Three fitting		1
11	17012050010	发动机出水管I	Engine outlet pipe I		1
12	17012050000	发动机出水管II	Engine outlet pipe II		1
13	17012020000	水箱保护罩	Water tank protection cover		1
14	21170101501	双风扇水箱	Double fan water tank		1
15	13612030030	水箱下固定橡胶套	Lower Mounting Rubber Sleeve For Radiator		2
16	21040402202	水箱水温传感器	Temperature sensor Oil cooler		1
17	17012030080	水箱上安装胶套	Water Tank Mounting Rubber Sleeve		2
18	17012030090	水箱上安装衬套	Water Tank Mounting Inner Sleeve		2
19	21040400933	风扇	Fan		1
20	21170101501	双风扇水箱	Double fan water tank		1
21	17012050020	发动机进水管	Engine intake pipe		1
22	17012070000	卡箍(φ 20-32)	Clamp 20-32	φ20-φ32	8

19、冷却系统Cooling System



图号 Item No.	ERP 配件编号	中文名称 Chinese name	英文名称 English name	型号 Specification	单车 数量 Quantity
23	01224060251	六角法兰螺栓	Hex Flange Bolt 6x25	M6×25	2
24	01224060165	六角法兰螺栓	Screw hex-flange	M6×16	10
25					
26					
27					
28					
29					
30					
31					
32					
33					
34					
35					
36					
37					
38					
39					
40					
41					
42					
43					
44					
45					

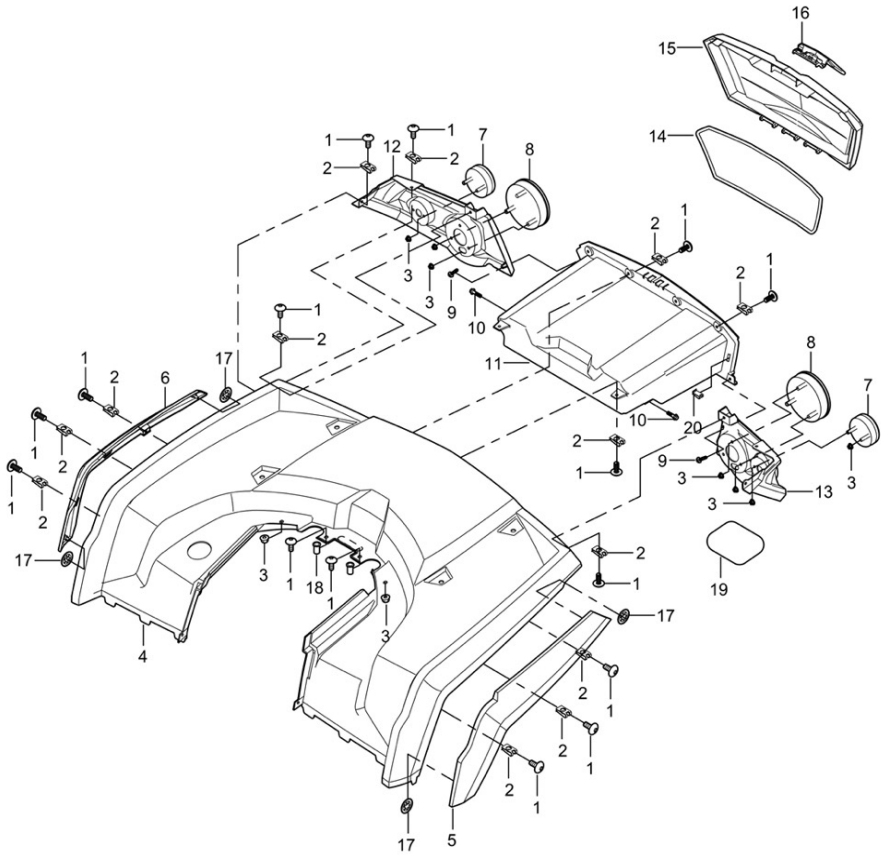
## 20、后车体组合Rear body assembly



图号 Item No.	ERP 配件编号	中文名称 Chinese name	英文名称 English name	型号 Specification	单车 数量 Quantity
46					
1	03414060124	内六角花形盘头螺钉	Phillips head screw	M6×12	16
2	04912060025	夹板螺母 (加长)	Plate Nut (Long)		16
3	04612060026	六角法兰防松螺母	Hexagon flange locking nut 6	M6	10
4	17010200900	后塑料件 (注塑黑色)	rear plastic (black)		
4	17010202830	后塑料件 (金属灰色)	rear plastic (metallic gray in painting)		
4	17010202940	后塑料件 (珍珠白色)	rear plastic (pearl white in painting)		
4	17010202800	后塑料件 (火焰红色)	rear plastic (red in painting)		
4	17010202860	后塑料件 (枫叶迷彩)	rear plastic (camouflage)		
4	17010203130	后塑料件 (注塑白色)	rear plastic (white)		
5	17010100000	后轮眉左	Rear wheel brow left		1
6	17010110000	后轮眉右	Rear wheel brow right		1
7	17009400000	后转向灯	Rear Turn Light		2
8	17009070120	后尾灯	Taillight		2
9	03714420165	自攻钉	Tapping screws	ST4.2x12	2
10	01224060165	六角法兰螺栓	Screw hex-flange	M6×16	2
11	17010630010	纳物箱	Storage Box		1
12	17009070100	后尾灯罩 (右)	Rear taillight cover (right)		1
13	17009070090	后尾灯罩 (左)	Rear taillight cover (left)		1
14	17010630030	纳物箱密封条	Seal of the container		1
15	17010630020	纳物箱盖	Storage Box Cap		1
16	17010630170	纳物箱手柄	Storage box handle		1
17	17014110300	梅花卡子	Plummer clips	φ5	4

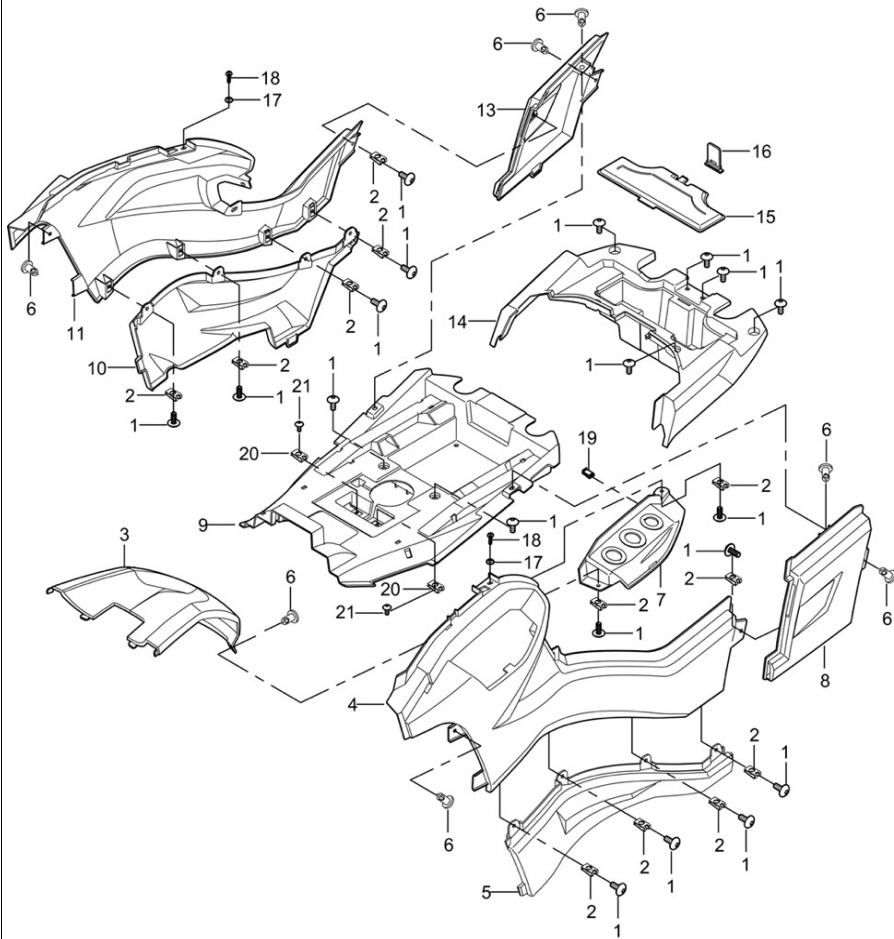


20、后车体组合Rear body assembly



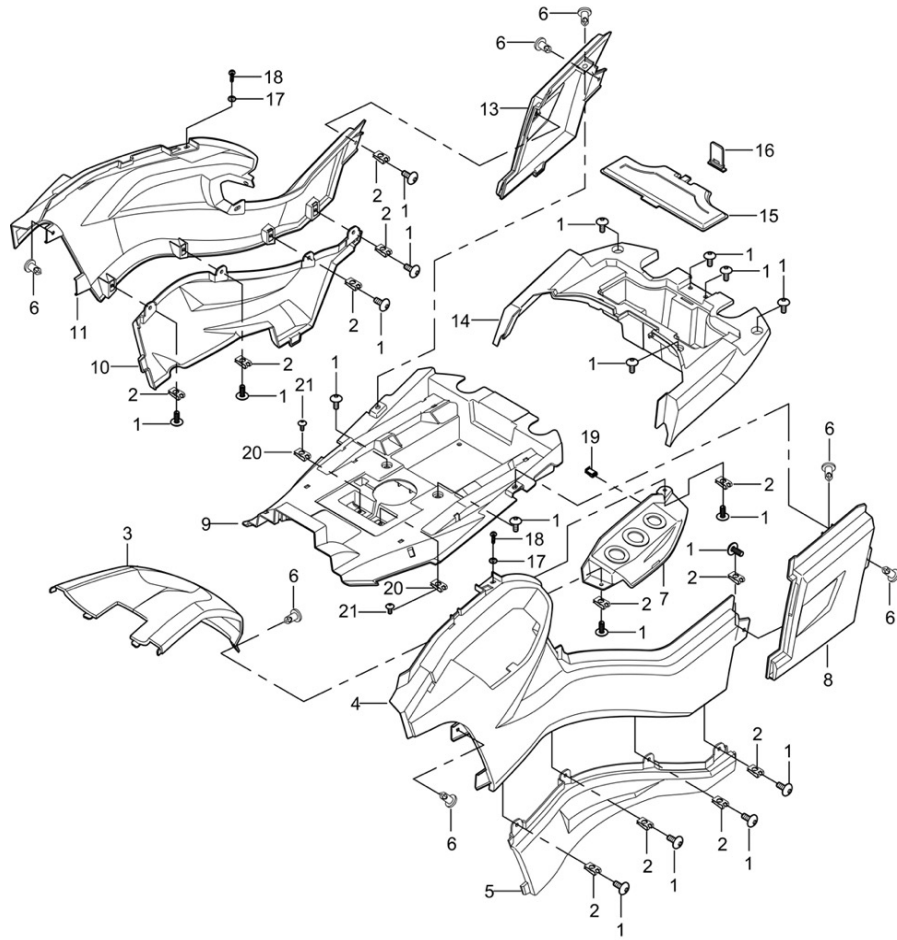
图号 Item No.	ERP 配件编号	中文名称 Chinese name	英文名称 English name	型号 Specification	单车 数量 Quantity
18	04512060027	拉铆螺母	Rivet Nut 6	M6	2
19	17014130010	纳物箱隔热膜	Thermal insulation film of the storage box		1
20	16110750000	金属卡扣	Metal Snap		2
21					
22					
23					
24					
25					
26					
27					
28					
29					
30					
31					
32					
33					
34					
35					
36					
37					
38					
39					
40					

## 21、侧板组合(长款) Side Board Combination(Long)



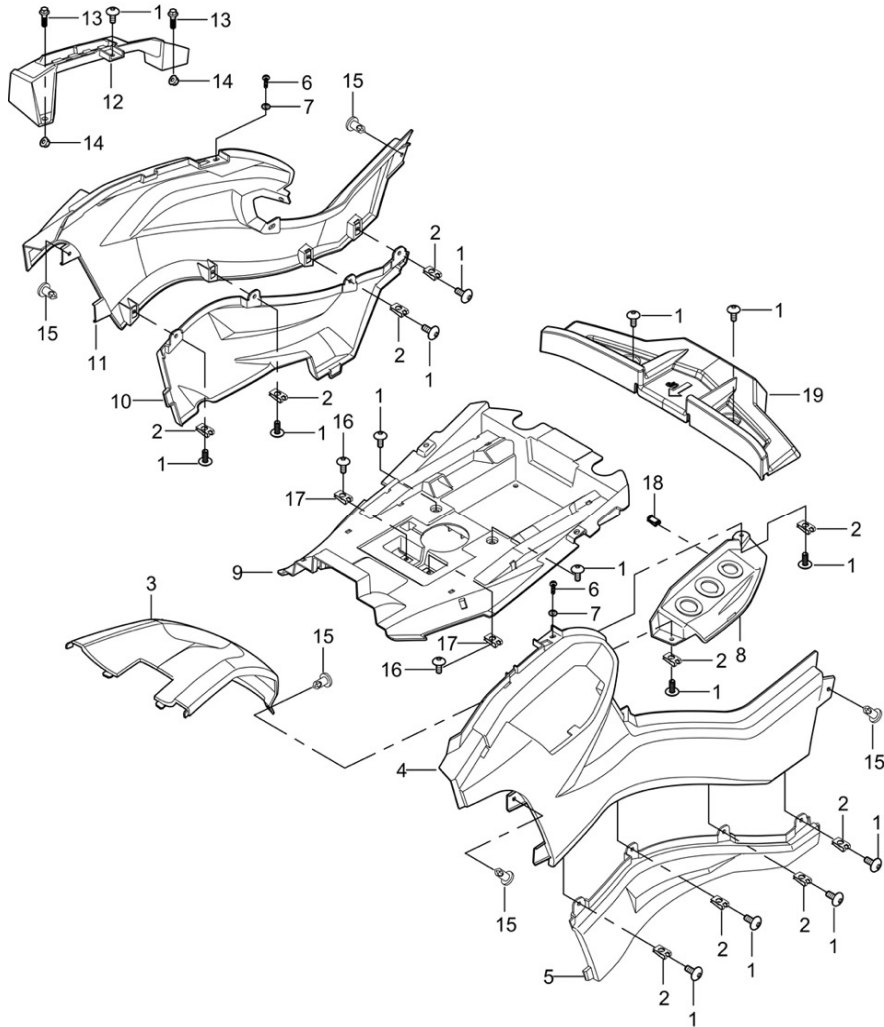
图号 Item No.	ERP 配件编号	中文名称 Chinese name	英文名称 English name	型号 Specification	单车 数量 Quant
41					
1	03414060124	内六角形盘头螺钉	Phillips head screw	M6×12	29
2	04912060025	夹板螺母(加长)	Plate Nut (Long)		16
3	17009160220	仪表底座	Instrument base		1
4	17010203060	左侧板(1)(注塑黑色)	left side panel (1) (black)		1
4	17010202840	左侧板(1)(金属灰色)	left side panel (1) (metallic gray in painting)		1
4	17010202920	左侧板(1)(珍珠白色)	left side panel (1) (pearl white in painting)		1
4	17010203080	左侧板(1)(火焰红色)	left side panel (1) (red in painting)		1
4	17010202870	左侧板(1)(枫叶迷彩)	left side panel (1) (camouflage)		1
4	17010203110	左侧板(1)(注塑白色)	left side panel (1) (white)		1
5	17010202810	左侧板(2)	Driver Side Board (2)		1
6	10410190000	塑料按扣	Push Pin		12
7	17009010260	电器安装板	Electrical mounting plate		1
8	17010202370	左侧板(3)	Driver Side Board (3)		1
9	17009090130	座垫下护板	Seat Board		1
10	17010202820	右侧板(2)	Passenger Side Board (2)		1
11	17010203070	右侧板(1)(注塑黑色)	right side panel (1) (black)		1
11	17010202850	右侧板(1)(金属灰色)	right side panel (1) (metallic gray in painting)		1
11	17010202930	右侧板(1)(珍珠白色)	right side panel (1) (pearl white in painting)		1
11	17010203090	右侧板(1)(火焰红色)	right side panel (1) (red in painting)		1
11	17010202880	右侧板(1)(枫叶迷彩)	right side panel (1) (camouflage)		1
11	17010203120	右侧板(1)(注塑白色)	right side panel (1) (white)		1
12	17010360000	手变档板(1000)	Handle Shifting Plate(1000)		1

## 21、侧板组合 (长款) Side Board Combination (Long)



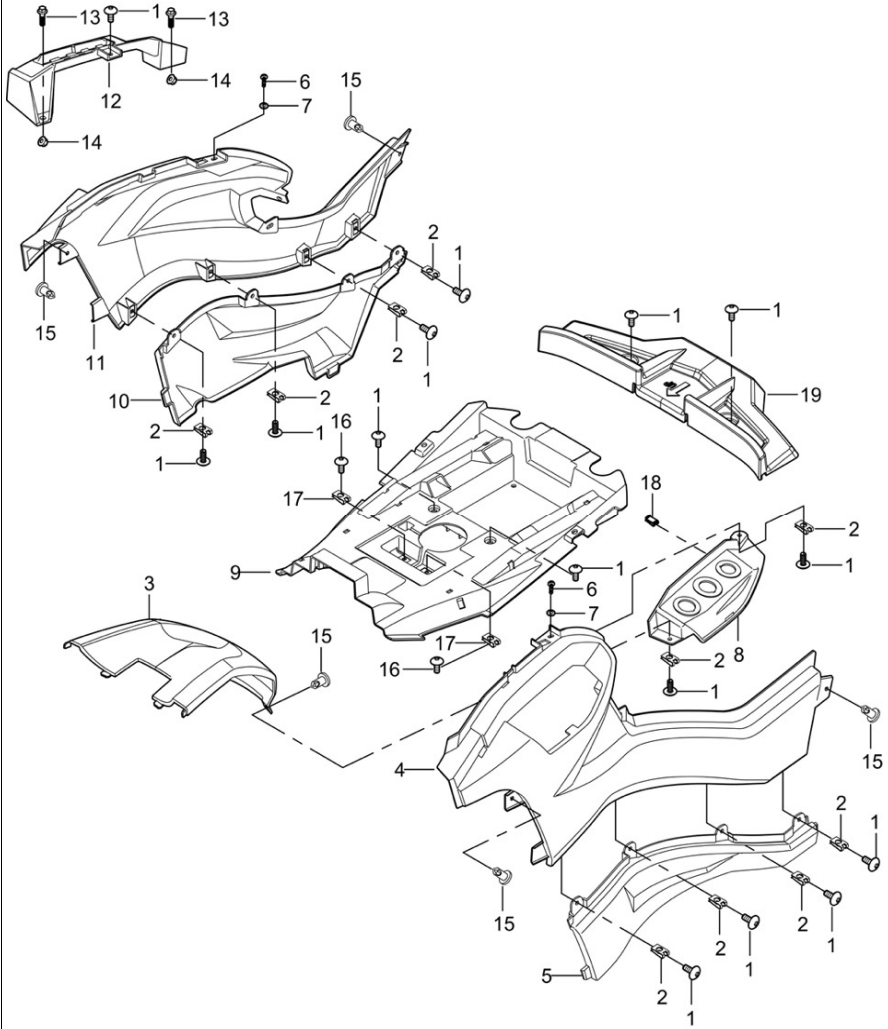
图号 Item No.	ERP 配件编号	中文名称 Chinese name	英文名称 English name	型号 Specification	单件 数量 Quantity
12	17310360000	手变档板(650)	Handle Shifting Plate(650/800)		1
13	17010202410	右侧板 (3)	Passenger Side Board (3)		1
14	17010280000	座椅护板	Seat Board		1
15	17010280140	座椅护板上盖	Seat Board Upper Cover		1
16	13610630071	纳物箱拉皮	Storage Box Rubber Strip		1
17	06119040905	平垫	Washer	φ4×φ9×1	2
18	03714420165	自攻钉	Tapping screws	ST4.2x12	2
19	16110750000	金属卡扣	Metal Snap		2
20	04922050024	夹板螺母 (M5)	Plate Nut (M5)	M5	2
21	01224050125	六角螺栓 (M5)	Hex bolt (M5)	M5x12	2
22					
23					
24					
25					
26					
27					
28					
29					
30					
31					
32					
33					
34					

22、侧板组合(短款) Side Board Combination(Short)



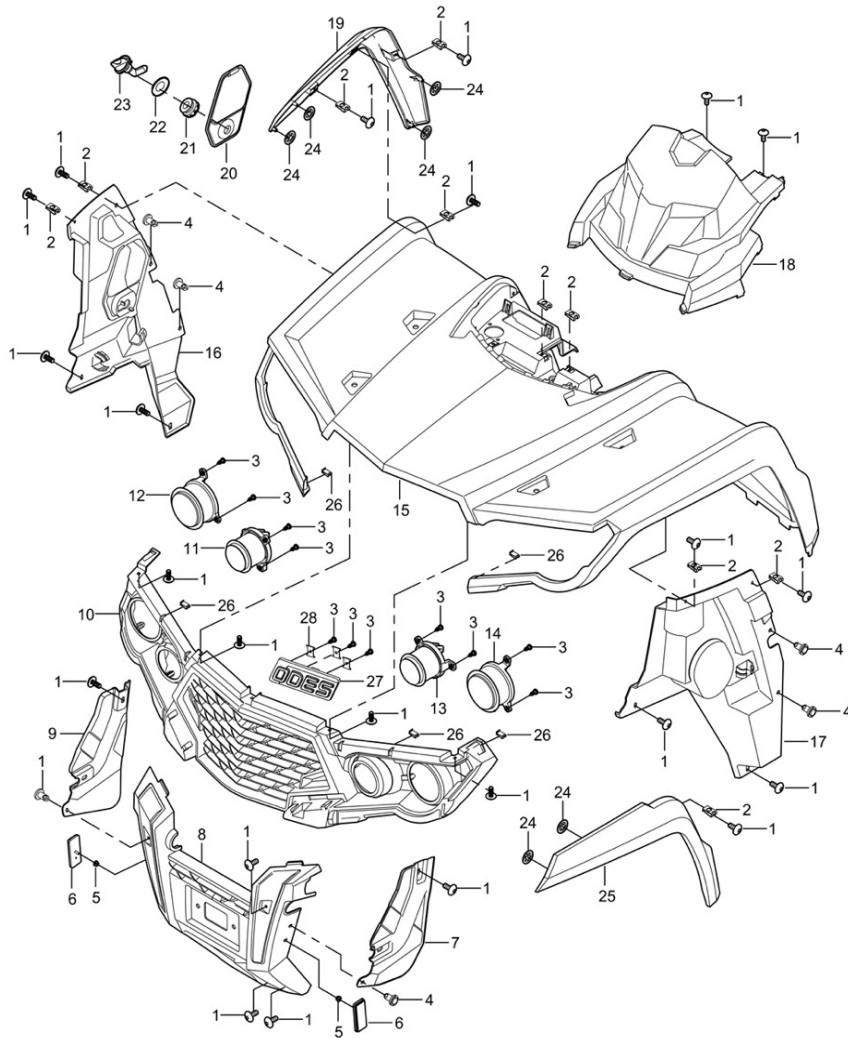
图号 Item No.	ERP 配件编号	中文名称 Chinese name	英文名称 English name	型号 Specification	单车 数量 Quantity
1	03414060164	内六角花形盘头螺钉	Phillips head screw	M6×12	27
2	04912060025	夹板螺母(加长)	Plate Nut (Long)		12
3	17009160220	仪表底座	Instrument base		1
4	17010203060	左侧板(1)(注塑黑色)	left side panel (1) (black)		1
4	17010202840	左侧板(1)(金属灰红色)	left side panel (1) (metallic gray in painting)		1
4	17010202920	左侧板(1)(珍珠白色)	left side panel (1) (pearl white in painting)		1
4	17010203080	左侧板(1)(火焰红色)	left side panel (1) (red in painting)		1
4	17010202870	左侧板(1)(枫叶迷彩)	left side panel (1) (camouflage)		1
4	17010203110	左侧板(1)(注塑白色)	left side panel (1) (white)		1
5	17010202810	左侧板	Driver Side Board (2)		1
6	03714420165	自攻钉	Tapping screws	ST4.2x12	2
7	06119040905	平垫	Washer	φ4×φ9×1	2
8	17009010260	电器安装板	Electrical Mounting Plate		1
9	17009090130	电瓶盒(塑料)	Battery box (plastic)		1
10	17010202820	右侧板	Passenger Side Board		1
11	17010203070	右侧板(1)(注塑黑色)	right side panel (1) (black)		1
11	17010202850	右侧板(1)(金属灰色)	right side panel (1) (metallic gray in painting)		1
11	17010202930	右侧板(1)(珍珠白色)	right side panel (1) (pearl white in painting)		1
11	17010203090	右侧板(1)(火焰红色)	right side panel (1) (red in painting)		1
11	17010202880	右侧板(1)(枫叶迷彩)	right side panel (1) (camouflage)		1
11	17010203120	右侧板(1)(注塑白色)	right side panel (1) (white)		1
12	17010360000	手变档板(1000)	Handle Shifting Plate(1000)		1
12	17310360000	手变档板(650)	Handle Shifting Plate(650/800)		1

23、前照灯组合Headlamp combination



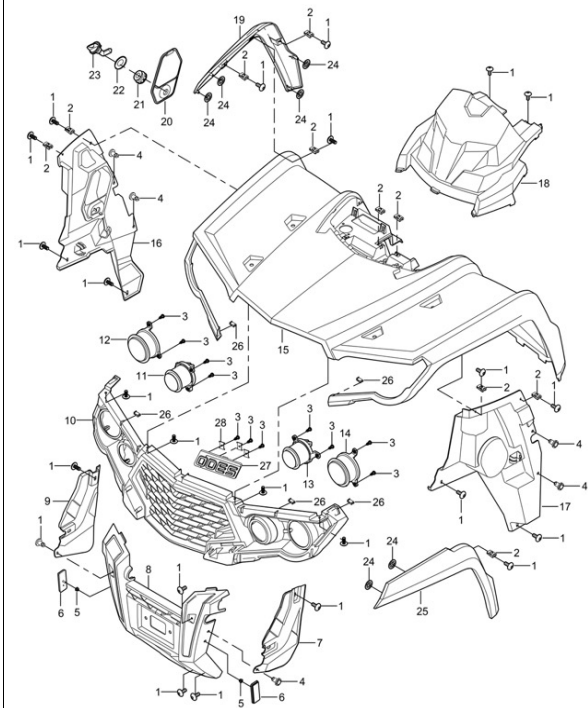
图号 Item No.	0	中文名称 Chinese name	英文名称 English name	型号 Specification	单车 数量 Quantity
13	01224080306	六角法兰螺栓	Hex Flange Bolt	M8×30	2
14	04512080025	六角法兰自锁螺母	Hex Flange Locking Nut 8	M8	2
15	10410190000	塑料按扣	Push Pin		8
16	04922050024	夹板螺母 (M5)	Plate Nut (M5)	M5	2
17	01224050125	六角螺栓 (M5)	Hex bolt (M5)	M5x12	2
18	16110750000	金属卡扣	Metal Snap		1
19	17010280150	后车体装饰盖	Rear body trim cover		1
20					
21					
22					
23					
24					
25					
26					
27					
28					
29					
30					
31					
32					
33					
34					
35					

## 23、前照灯组合Headlamp combination



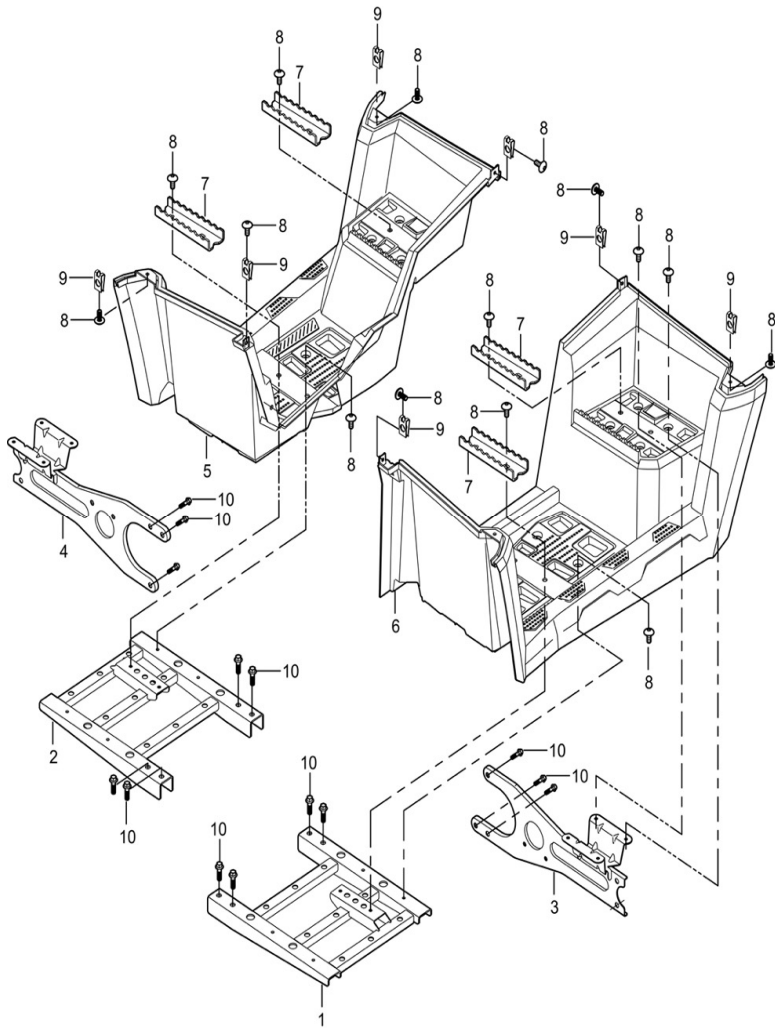
图号 Item No.	ERP 配件编号	中文名称 Chinese name	英文名称 English name	型号 Specification	单车 数量 Quantity
1	03414060164	内六角花形盘头螺钉	Phillips head screw	M6×12	29
2	04912060025	夹板螺母 (加长)	Plate Nut (Long)		21
3	03714420165	自攻钉	Tapping screws	ST4.2x12	15
4	10410190000	塑料按扣	Push Pin		7
5	04612050025	六角法兰防松螺母	Hexagon flange locking nut 6	M5	2
6	13609180090	反光牌 (长方形黄色)	Retroreflector (yellow rectangle)		2
7	17010330010	挡泥板(左)	Mud-Guard Board, Driver Side		1
8	17010720000	牵引机护罩	Winch Cover		1
9	17010330020	挡泥板(右)	Mud-Guard Board, Passenger Side		1
10	17010160000	前面板	Front Panel		1
11	17009060020	前大灯 (右) (远光) (LED)	Headlight,(Right) (High Beam) (LED)		1
12	17009060040	前大灯 (右) (近光) (LED)	Headlight,(Right) (Low Beam) (LED)		1
13	17009060010	前大灯 (左) (远光) (LED)	Headlight,(Left) (High Beam) (LED)		1
14	17009060030	前大灯 (左) (近光) (LED)	Headlight,(Left) (Low Beam) (LED)		1
15	17010201530	前塑料件 (注塑黑色)	front plastic (black)		1
15	17010202780	前塑料件 (金属灰红色)	front plastic (metallic gray in painting)		1
15	17010202910	前塑料件 (珍珠白色)	front plastic (pearl white in painting)		1
15	17010202770	前塑料件 (火焰红色)	front plastic (red in painting)		1
15	17010202790	前塑料件 (枫叶迷彩)	front plastic (camouflage)		1
15	17010203100	前塑料件 (注塑白色)	front plastic (white)		1
16	17010330040	后挡泥板(右)	Rear Mud-Guard Boards, Passenger Side		1
17	17010330030	后挡泥板(左)	Rear Mud-Guard Boards, Driver Side		1
18	17009160210	仪表外罩	Instrument Outside Cover		1

## 23、前照灯组合Headlamp combination



图号 Item No.	ERP 配件编号	中文名称 Chinese name	英文名称 English name	型号 Specification	单车 数量 Quantity
19	17010680000	前轮眉右	Front wheel eyebrow right		1
20	17010690000	装饰盖板	Decorative cover plate		1
21	16108150080	引擎板橡胶垫	Engine panel rubber pad		1
22	06219162205	平垫	Washer	φ16×φ22×2	1
23	16110260130	引擎盖旋钮开关	Hood knob switch		1
24	17014110300	梅花卡子	Plummer clips	φ5	8
25	17010670000	前轮眉左	Front wheel eyebrow left		1
26	16110750000	金属卡扣	Metal Snap		10
27	17010030150	商标 (ODES)	Trademark (ODES)		1
28	17010030030	ODES商标固定板	Trademark Mounting Board (ODES)		3
29					
30					
31					
32					
33					
34					
35					
36					
37					
38					
39					
40					
41					

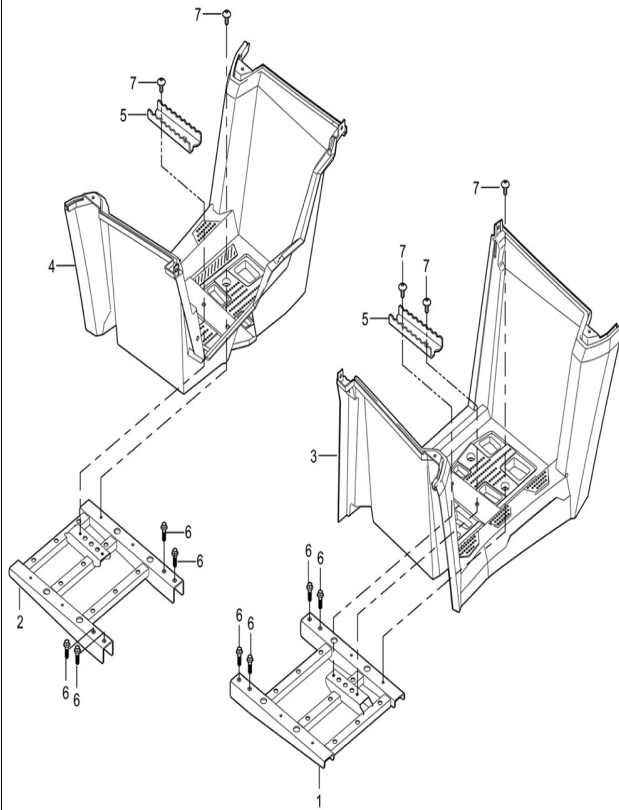
## 24、脚踏板(长款)Pedal (Long)



图号 Item No.	ERP 配件编号	中文名称 Chinese name	英文名称 English name	型号 Specification	单车 数量 Quantity
1	17008160000	脚踏板支架 左	Footrest Bracket, Left		1
2	17008170000	脚踏板支架 右	Footrest Bracket, Right		1
3	17008160050	脚踏板安装后左支架	Footrest Mounting Bracket, Rear, LH		1
4	17008160060	脚踏板安装后右支架	Footrest Mounting Bracket, Rear, RH		1
5	17010080020	脚踏板右(长款)	Foot Rest, RH (Long)		1
6	17010080010	脚踏板左(长款)	Foot Rest, LH (Long)		1
7	17000942000	齿形脚踏板	Foot Pedal		4
8	03414060164	内六角花形盘头螺钉	Phillips head screw	M6×16	32
9	04912060025	夹板螺母(加长)	Plate Nut (Long)		16
10	01256100206	六角法兰螺栓	Hex Flange Bolt 10×20×1.25	M10×20×1.25	14
11					
12					
13					
14					
15					
16					
17					
18					
19					
20					
21					
22					
23					

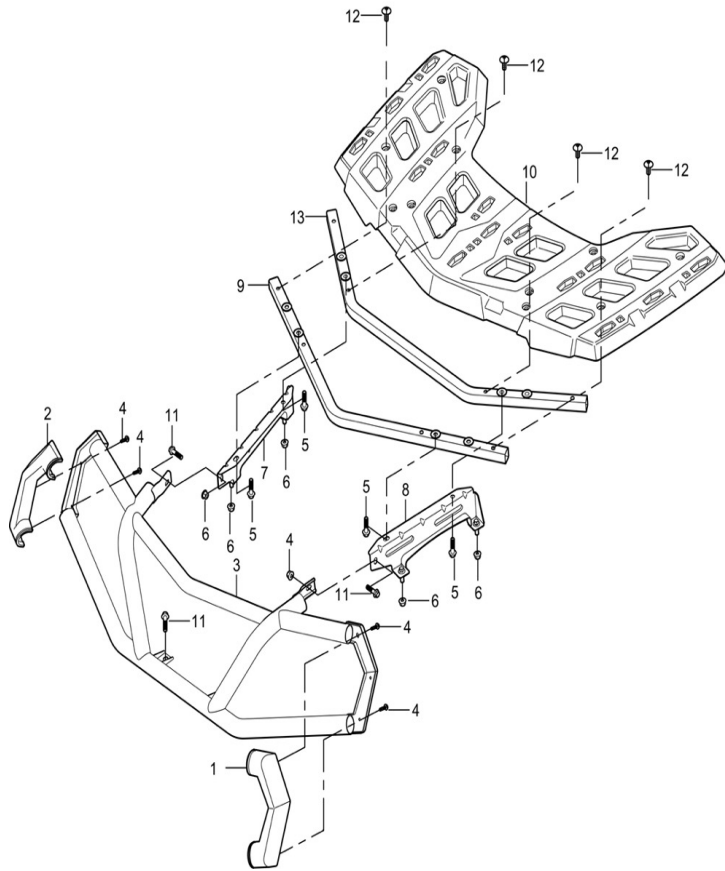


## 25、脚踏板（短款） Pedal (Short)



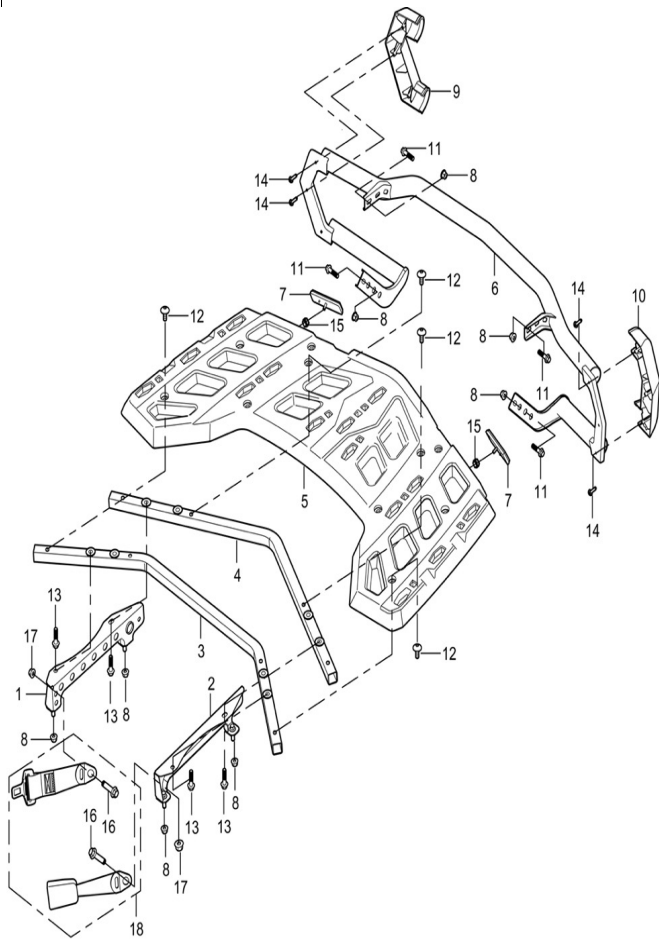
图号 Item No.	ERP 配件编号	中文名称 Chinese name	英文名称 English name	型号 Specification	单车 数量 Quantity
1	17008160000	脚踏板支架 左	Footrest Bracket, Left		1
2	17008170000	脚踏板支架 右	Footrest Bracket, Right		1
3	17310080010	脚踏板左（短款）	Foot Pedal, LH (Short)		1
4	17310080020	脚踏板右（短款）	Foot Pedal, RH (Short)		1
5	17000942000	齿形脚踏板	Foot Pedal		2
6	01256100206	六角法兰螺栓	Hex Flange Bolt 10×20×1	M10x20x1.25	8
7	03414060164	内六角花形盘头螺钉	Phillips head screw	M6×16	20
8					
9					
10					
11					
12					
13					
14					
15					
16					
17					
18					
19					
20					
21					
22					
23					

## 26、前货架及前保险杠Front storage rack and front bumper



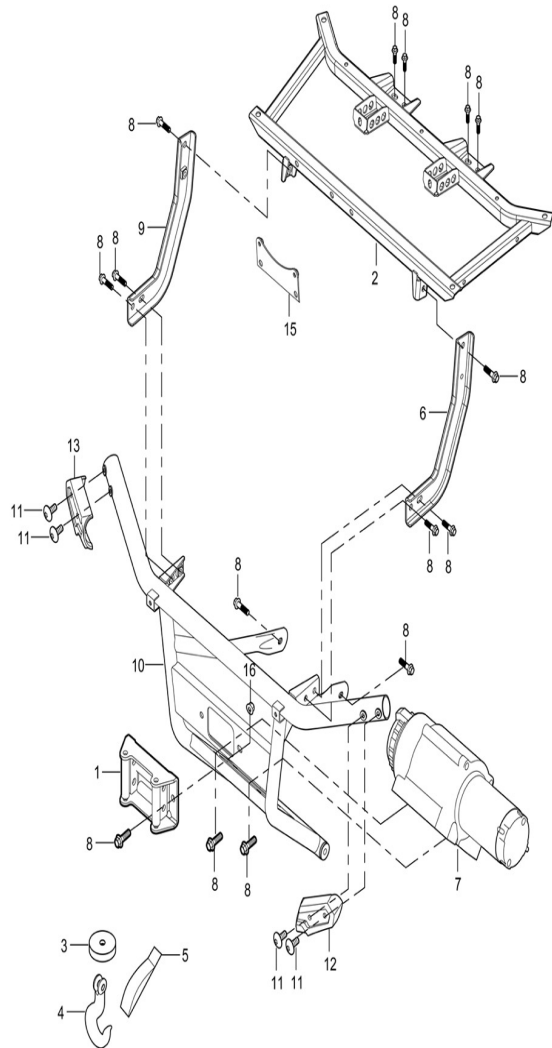
图号 Item No.	ERP 配件编号	中文名称 Chinese name	英文名称 English name	型号 Specification	单车 数量 Quantity
1	17010202980	前保险杠装饰罩 (左)	Front bumper cover (Left)		1
2	17010202990	前保险杠装饰罩 (右)	Front bumper cover (Right)		1
3	17008110000	前保险杠	Front bumper		1
4	03714420165	自攻钉	Tapping screws	ST4.2x12	6
5	01214080165	六角法兰螺栓	Hex Flange Bolt 8x16	M8x16	4
6	04612080026	六角法兰防松螺母	Hexagon flange locking nut	M8	6
7	17008120160	前货架连接支架右	Front mounting storage rack right		1
8	17008120170	前货架连接支架左	Front mounting storage rack left		1
9	17008120200	货架支撑管外	Storage Rack Outer Support Tube		1
10	17010730000	前货架盖板	Front Storage Rack Cover		1
11	01224080206	六角法兰螺栓	Hex Flange Bolt 8x20	M8x20	4
12	03414060164	内六角花形盘头螺钉	Phillips head screw	M6x16	8
13	17008120190	货架支撑管内	Storage Rack Inner Support Tube		1
14					
15					
16					
17					
18					
19					
20					
21					
22					
23					

## 27、后货架及保险杠Rear storage rack and bumper



图号 Item No.	ERP 配件编号	中文名称 Chinese name	英文名称 English name	型号 Specification	单车 数量 Quantity
1	17008130140	后货架连接右支架	Rear mounting storage rack right		1
2	17008130130	后货架连接左支架	Rear mounting storage rack left		1
3	17008120190	货架支撑管内	Storage Rack Inner Support Tube		1
4	17008120200	货架支撑管外	Storage Rack Outer Support Tube		1
5	17310730000	前货架盖板	Front Storage Rack Cover		1
6	17008350080	后保险杠	Rear bumper		1
7	13609180090	反光牌(长方形黄色)	Retroreflector (yellow rectangle)		2
8	04612080026	六角法兰防松螺母	Hexagon flange locking nut	M8	8
9	17010203010	后保险杠装饰罩(右)	Rear bumper cover (Right)		1
10	17010203000	后保险杠装饰罩(左)	Rear bumper cover (Left)		1
11	01224080206	六角法兰螺栓	Hex Flange Bolt 8x20	M8x20	4
12	03414060164	内六角花形盘头螺钉	Phillips head screw	M6x16	8
13	01214080165	六角法兰螺栓	Hex Flange Bolt 8x16	M8x16	6
14	03714420165	自攻钉	Tapping screws	ST4.2x12	4
15	04612050025	六角法兰防松螺母	Hexagon flange locking nut	M5	2
16	01824100225	六角法兰台阶螺栓	Hexagonal flange step bolts	M10x1.25	2
17	04622100026	六角法兰防松螺母	Hexagon flange locking nut	10x1.25	2
18	17011090090	安全带(简易两点式)	Seat belt		1
19					
20					
21					
22					
23					

## 28、选配件Optional Accessories

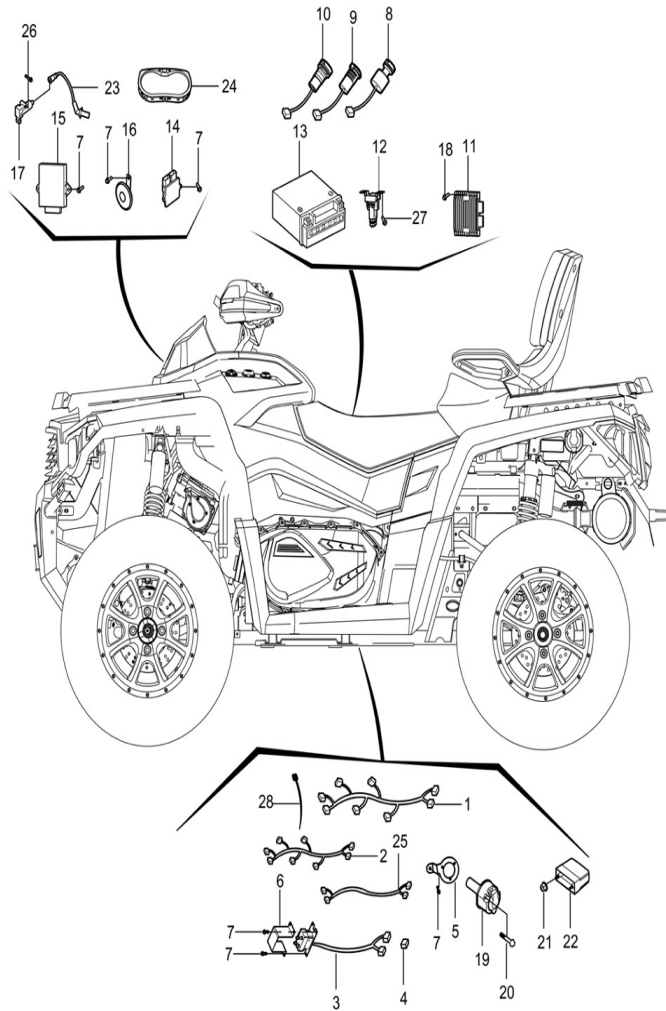


图号 Item No.	ERP 配件编号	中文名称 Chinese name	英文名称 English name	型号 Specification	单车 数量 Quantity
1	10914150100	牵引机导缆器	Winch Front Roller Bracket		1
2	17008110020	前保险杠内衬	Inner lining, Front Bumper		1
3	10914060100	牵引机护垫	Winch Protection Pad		1
4	10914150080	牵引机 挂钩	Hook		1
5	10914150090	牵引机拉绳	Anchor Rope		1
6	17008120210	前货架内衬支撑 (左)	Front shelf liner support (Left)		1
7	10914150111	牵引机体 (润华) (尼龙绳)	Front winch body		1
8	01224080206	六角法兰螺栓	Hex Flange Bolt 8x20	M8x20	20
9	17008120180	前货架内衬支撑 (右)	Front shelf liner support (Right)		1
10	17008860000	牵引机支架	Winch Bracket		1
11	03414060164	内六角花形盘头螺钉	Phillips head screw	M6x16	4
12	17010720010	牵引机支架装饰罩 (左)	Tractor bracket cover (left)		1
13	17010720020	牵引机支架装饰罩 (右)	Tractor bracket cover (right)		1
14	04512060027	拉铆螺母	Rivet Nut 6	M6	1
15	17008120220	牵引机继电器安装板	Tractor relay mounting plate		1
16	04612080026	六角法兰防松螺母	Hexagonal flange lock nuts	M8	2
17					
18					
19					
20					
21					
22					
23					

## 29、选配件Optional Accessories

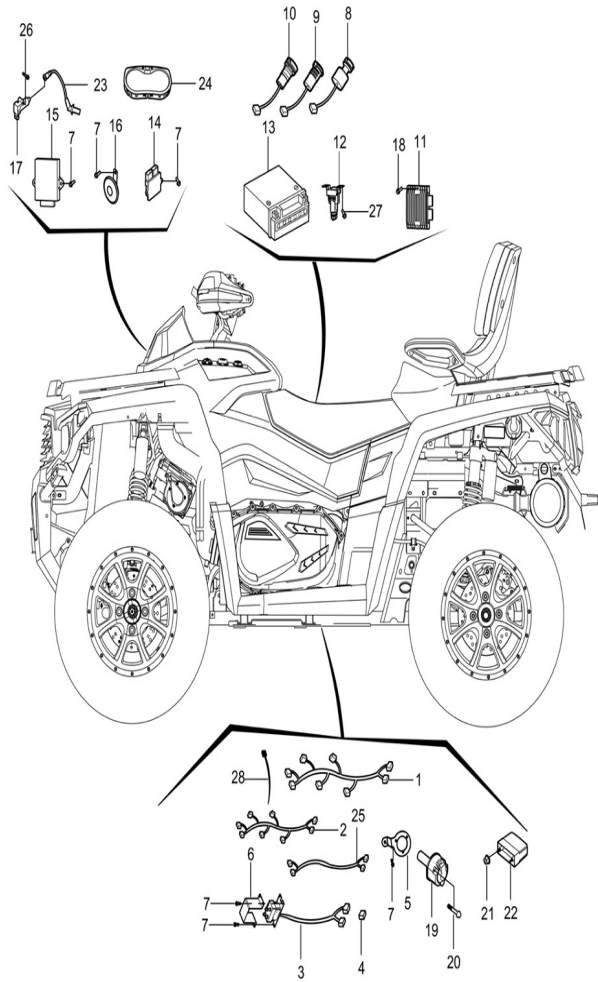
图号 Item No.	ERP 配件编号	中文名称 Chinese name	英文名称 English name	型号 Specification	单车 数量 Quantity
1	10914150100	牵引机导缆器	Winch Front Roller Bracket		1
2	17008110020	前保险杠内衬	Inner lining, Front Bumper		1
3	10914060100	牵引机护垫	Winch Protection Pad		1
4	10914150080	牵引机挂钩	Hook		1
5	10914150090	牵引机拉绳	Anchor Rope		1
6	17008120210	前货架内衬支撑(左)	Front shelf liner support (Left)		1
7	10914150111	牵引机体(润华)(尼龙绳)	Front winch body		1
8	01224080206	六角法兰螺栓	Hex Flange Bolt 8x20	M8x20	20
9	17008120180	前货架内衬支撑(右)	Front shelf liner support (Right)		1
10	17308860000	牵引机支架	Winch Bracket		1
11	17008120220	牵引机继电器安装板	Tractor relay mounting plate		1
12	04612080026	六角法兰防松螺母	Hexagonal flange lock nuts	M8	2
13					
14					
15					
16					
17					
18					
19					
20					
21					
22					
23					

## 30、电器件Electrical parts



图号 Item No.	ERP 配件编号	中文名称 Chinese name	英文名称 English name	型号 Specification	单车 数量 Quantity
1	17009020040	全车线	Wire harness		1
2	17009410000	发动机线束	Engine Wire Harness		1
3	17014150340	牵引机继电器与连接线总成	Winch Controller Box with cable Assy		1
4	17009520000	牵引机过流保护器	Traction machine overcurrent protector		1
5	17008420050	拖车电源固定板	Trailer power fixing plate		1
6	10914150010	牵引机继电器盖(润华)	Winch Controller Box Cap		1
7	01224060165	六角法兰螺栓	Screw hex-flange	M6×16	10
8	17009030000	电锁+方向锁	Electric lock + directional lock		1
9	14709300010	USB座	USB Block		1
10	13609300000	备用电源	Power Socket		1
11	21040400601	稳压器	Voltage regulator (high power)		1
12	17009300000	启动继电器	Starter relay		1
13	17009090000	电瓶	Battery		1
14	21040400501	ECU电控单元	ECU Module		1
15	17009370010	档位控制器(T3a/b)	Gear controller (T3a/b)		1
16	10409100000	喇叭(EEC)	Horn		1
17	21040400201	点火线圈	Ignition Coil		1
18	01214060355	六角法兰螺栓	Hex Flange Bolt 6x35	M6×35	1
19	13608420060	拖车电源	Trailer power supply		1
20	03144050355	十字圆柱头螺钉	Cross Round Head Bolt	M5x35	3
21	04612050025	六角法兰防松螺母	Hexagon flange locking nut	6 M5	2
22	17009140000	牌照灯	Plate light		1
23	21170102401	高压线 L=150mm	Spark Plug Cable L=150mm		1

30、电器件Electrical parts



图号 Item No.	ERP 配件编号	中文名称 Chinese name	英文名称 English name	型号 Specification	单车 数量 Quantity
24	17009160190	仪表	Display		1
25	13608420160	拖车电源转接线	Trailer power adapter cable		1
26	01254060356	六角法兰螺栓	Screw hex-flangeM6x35	M6x35	2
27	03414060164	内六角花形盘头螺钉	Phillips head screw	M6×16	2
28	90103040041	尼龙扎带	Nylon cable ties	8x200	60
29					
30					
31					
32					
33					
34					
35					
36					
37					
38					
39					
40					
41					
42					
43					
44					
45					
46					







<b>保修期</b> <b>Warranty period</b>
不在保修范围内
不在保修范围内
不在保修范围内
不在保修范围内
不在保修范围内
不在保修范围内
不在保修范围内
不在保修范围内
不在保修范围内
不在保修范围内
不在保修范围内
不在保修范围内
不在保修范围内
不在保修范围内
不在保修范围内
不在保修范围内
不在保修范围内
不在保修范围内
不在保修范围内
不在保修范围内
不在保修范围内
不在保修范围内
不在保修范围内



























保修期 Warranty period	
不在保修范围内	
不在保修范围内	
不在保修范围内	
不在保修范围内	
不在保修范围内	
不在保修范围内	
不在保修范围内	
不在保修范围内	
不在保修范围内	
不在保修范围内	
不在保修范围内	













<b>保修期</b> <b>Warranty period</b>
不在保修范围内
不在保修范围内
不在保修范围内
不在保修范围内
不在保修范围内
不在保修范围内
不在保修范围内
不在保修范围内
不在保修范围内
不在保修范围内
不在保修范围内
不在保修范围内
不在保修范围内
不在保修范围内



不在保修范围内
<b>保修期</b> <b>Warranty period</b>
不在保修范围内
不在保修范围内
不在保修范围内
不在保修范围内
不在保修范围内
不在保修范围内
不在保修范围内
不在保修范围内
不在保修范围内
不在保修范围内
不在保修范围内
不在保修范围内
不在保修范围内
不在保修范围内
不在保修范围内
不在保修范围内
不在保修范围内
不在保修范围内
不在保修范围内
不在保修范围内
不在保修范围内
不在保修范围内
不在保修范围内
不在保修范围内
不在保修范围内
不在保修范围内
不在保修范围内
不在保修范围内
不在保修范围内
不在保修范围内
不在保修范围内







<b>保修期 Warranty period</b>	
12个月（5000公里）	
不在保修范围内	
不在保修范围内	
不在保修范围内	
不在保修范围内	
不在保修范围内	
不在保修范围内	
不在保修范围内	
不在保修范围内	
不在保修范围内	
不在保修范围内	
不在保修范围内	
不在保修范围内	
不在保修范围内	
不在保修范围内	
不在保修范围内	
不在保修范围内	
不在保修范围内	
不在保修范围内	
不在保修范围内	
不在保修范围内	
不在保修范围内	
不在保修范围内	
不在保修范围内	
不在保修范围内	
不在保修范围内	











保修期 Warranty period
不在保修范围内
不在保修范围内
不在保修范围内
不在保修范围内
不在保修范围内
不在保修范围内
不在保修范围内
不在保修范围内
不在保修范围内
不在保修范围内
不在保修范围内
不在保修范围内
不在保修范围内
12个月（5000公里）
12个月（5000公里）
不在保修范围内
不在保修范围内
不在保修范围内
不在保修范围内
不在保修范围内
不在保修范围内
不在保修范围内
不在保修范围内
不在保修范围内













保修期 Warranty period
不在保修范围内
不在保修范围内
不在保修范围内
不在保修范围内
不在保修范围内
不在保修范围内
不在保修范围内
不在保修范围内
不在保修范围内
不在保修范围内
不在保修范围内
12个月 (5000公里)
12个月 (5000公里)
12个月 (5000公里)
12个月 (5000公里)
不在保修范围内
不在保修范围内
不在保修范围内
不在保修范围内
不在保修范围内
不在保修范围内
不在保修范围内
不在保修范围内
不在保修范围内
不在保修范围内















保修期 Warranty period
不在保修范围内
不在保修范围内
不在保修范围内
不在保修范围内
不在保修范围内
不在保修范围内
不在保修范围内
12个月（5000公里）
不在保修范围内
不在保修范围内
不在保修范围内
不在保修范围内
不在保修范围内
不在保修范围内
不在保修范围内
不在保修范围内
不在保修范围内
不在保修范围内
不在保修范围内
不在保修范围内
不在保修范围内
不在保修范围内
不在保修范围内
不在保修范围内

保修期 Warranty period
12个月 (5000公里)
12个月 (5000公里)
12个月 (5000公里)
12个月 (5000公里)
不在保修范围内
不在保修范围内
不在保修范围内
12个月 (5000公里)
12个月 (5000公里)
12个月 (5000公里)
12个月 (5000公里)
12个月 (5000公里)
12个月 (5000公里)
12个月 (5000公里)
12个月 (5000公里)
12个月 (5000公里)
12个月 (5000公里)
不在保修范围内
不在保修范围内
不在保修范围内
不在保修范围内
12个月 (5000公里)
12个月 (5000公里)



















































